

Wall Mount Recept. (Front Mount)

RS Series • MIL-DTL-5015 Series Reverse Bayonet



RS00 Cross-Reference & Compatibility

Compatible Brands	Equivalents	Mates
AS95234	AS95234/4	AS95234/6, AS95234/9
VG95234	VG95234 Receptacles	VG95234 Plugs
Amphenol	GTS00, GTC00	GTS06, GTC06
	ACA3100-B	ACA3106-B
	97B-3100, 97B-4100	97B-3106, 97B-4106
ITT Cannon	CA3100-B	CA3106-B
	CB0	CB6
Veam	CIR00	CIR06

RS00 W N 20-15 S N - E2 - 03

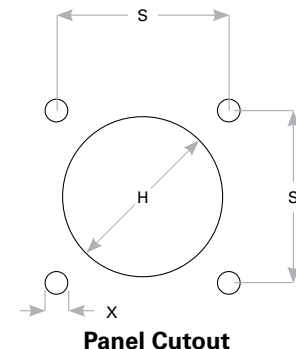
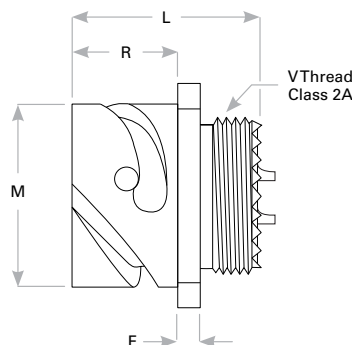
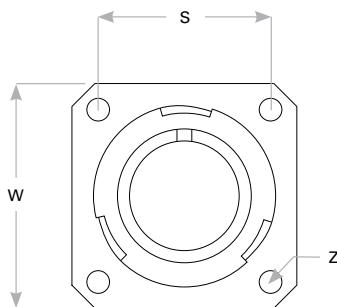
- 1 **BASIC PART NUMBER**
RS00 Wall mount solder receptacle (front mount)
RC00 Wall mount crimp receptacle (front mount)
- 2 **SHELL MATERIAL & FINISH**
W Aluminum, olive drab cadmium
- 3 **INSERT MATERIAL**
N Standard resilient neoprene
V Viton, chemical resistant, high temperature
F Flame retardant, low smoke, halogen free
- 4 **SHELL SIZE & INSERT ARRANGEMENT**
 See Insert Arrangement Selection table, p. V-12
- 5 **CONTACT STYLE**
P Pin
S Socket
- 6 **INSERT ROTATION**
N Normal or W, X, Y, Z, see p. V-12 for availability
- 7 **BACKSHELL (OMIT FOR NONE)**
E2 Straight cable sealing backshell, p. V-30
E4 90° cable sealing backshell, p. V-31
F2 Straight wire sealing backshell, p. V-32
F4 90° wire sealing backshell, p. V-33
- 8 **OPTIONAL ACCESSORY KIT (OMIT FOR NONE)**
02 Protective cover + mounting gasket
03 02 kit + mounting bracket + sealing screws

Note: See part builder (p. V-11) for additional kit options.

Receptacle Dimensions

Shell Size	W	Z Dia	L	R	M	F	V Thread Class 2A	S	X	H
10SL	1.000 (25.4)	.126 (3.2)	1.570 (39.9)	.559 (14.2)	.717 (18.2)	.110 (2.8)	.6250-24UNEF	.717 (18.2)	.134 (3.4)	.688 (17.5)
14S	1.181 (30.0)	.126 (3.2)	1.570 (39.9)	.559 (14.2)	.969 (24.6)	.126 (3.2)	.8750-20UNEF	.906 (23.0)	.134 (3.4)	.938 (23.8)
16S	1.280 (32.5)	.126 (3.2)	1.570 (39.9)	.559 (14.2)	1.079 (27.4)	.126 (3.2)	1.0000-20UNEF	.969 (24.6)	.134 (3.4)	1.050 (26.7)
16	1.280 (32.5)	.126 (3.2)	1.850 (47.0)	.748 (19.0)	1.079 (27.4)	.126 (3.2)	1.0000-20UNEF	.969 (24.6)	.134 (3.4)	1.050 (26.7)
18	1.378 (35.0)	.126 (3.2)	1.850 (47.0)	.748 (19.0)	1.213 (30.8)	.157 (4.0)	1.0625-18UNEF	1.063 (27.0)	.134 (3.4)	1.113 (28.3)
20	1.496 (38.0)	.126 (3.2)	1.850 (47.0)	.748 (19.0)	1.346 (34.2)	.157 (4.0)	1.1875-18UNEF	1.157 (29.4)	.134 (3.4)	1.252 (31.8)
22	1.614 (41.0)	.126 (3.2)	1.850 (47.0)	.748 (19.0)	1.472 (37.4)	.157 (4.0)	1.3125-18UNEF	1.252 (31.8)	.134 (3.4)	1.374 (34.9)
24	1.752 (44.5)	.146 (3.7)	1.850 (47.0)	.811 (20.6)	1.610 (40.9)	.157 (4.0)	1.4375-18UNEF	1.374 (34.9)	.154 (3.9)	1.492 (37.9)
28	2.000 (50.8)	.146 (3.7)	2.100 (53.3)	.811 (20.6)	1.839 (46.7)	.157 (4.0)	1.7500-18UNS	1.563 (39.7)	.154 (3.9)	1.800 (45.7)
32	2.244 (57.0)	.169 (4.3)	2.100 (53.3)	.874 (22.2)	2.102 (53.4)	.157 (4.0)	2.0000-18UNS	1.752 (44.5)	.177 (4.5)	2.060 (52.3)
36	2.500 (63.5)	.169 (4.3)	2.100 (53.3)	.874 (22.2)	2.346 (59.6)	.157 (4.0)	2.2500-18UN	1.937 (49.2)	.177 (4.5)	2.310 (58.7)

Dimensions are in inches (mm).



Rev. 1832