

Jam Nut Recept. (Wall Mount)

RS Series • MIL-DTL-5015 Series Reverse Bayonet



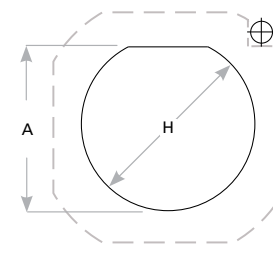
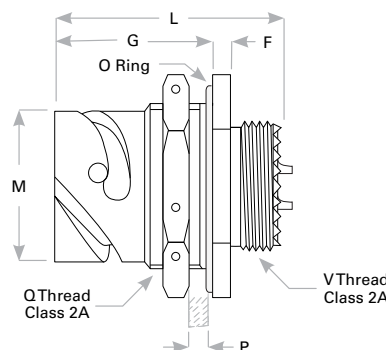
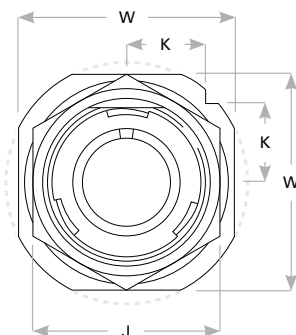
RS07 Cross-Reference & Compatibility

Compatible Brands	Equivalents	Mates
AS95234	AS95234/8	AS95234/6, AS95234/9
VG95234	VG95234 Receptacles	VG95234 Plugs
Amphenol	GTS070, GTC070	GTS06, GTC06
	-	ACA3106-B
	97B-3107, 97B-4107	97B-3106, 97B-4106
ITT Cannon	-	CA3106-B
	-	CB6
Veam	CIR070	CIR06

Receptacle Dimensions

Shell Size	W	K	J	V Thread Class 2A	L	M	Q Thread Class 2A	G	F	P Max Panel	A	H
10SL	1.252 (31.8)	.441 (11.2)	1.063 (27.0)	.6250-24UNEF	1.570 (39.9)	.717 (18.2)	.8750-20 UNEF	.965 (24.5)	.157 (4.0)	.205 (5.2)	.830 (21.1)	.875 (22.2)
14S	1.626 (41.3)	.575 (14.6)	1.299 (33.0)	.8750-20UNEF	1.570 (39.9)	.969 (24.6)	1.1250-18 UNEF	1.055 (26.8)	.189 (4.8)	.295 (7.5)	1.080 (27.4)	1.125 (28.6)
16S	1.748 (44.4)	.618 (15.7)	1.500 (38.1)	1.0000-20UNEF	1.570 (39.9)	1.079 (27.4)	1.2500-18 UNEF	1.055 (26.8)	.189 (4.8)	.295 (7.5)	1.210 (30.7)	1.250 (31.8)
16	1.748 (44.4)	.618 (15.7)	1.500 (38.1)	1.0000-20UNEF	1.850 (47.0)	1.079 (27.4)	1.2500-18 UNEF	1.264 (32.1)	.189 (4.8)	.295 (7.5)	1.320 (33.5)	1.375 (34.9)
18	1.875 (47.6)	.661 (16.8)	1.563 (39.7)	1.0625-18UNEF	1.850 (47.0)	1.213 (30.8)	1.3750-18 UNEF	1.327 (33.7)	.189 (4.8)	.354 (9.0)	1.450 (36.8)	1.500 (38.1)
20	2.000 (50.8)	.709 (18.0)	1.732 (44.0)	1.1875-18UNEF	1.850 (47.0)	1.346 (34.2)	1.5000-18 UNEF	1.327 (33.7)	.189 (4.8)	.354 (9.0)	1.570 (39.9)	1.625 (41.3)
22	2.134 (54.2)	.795 (20.2)	1.811 (46.0)	1.3125-18UNEF	1.850 (47.0)	1.472 (37.4)	1.6250-18 UNEF	1.327 (33.7)	.189 (4.8)	.358 (9.1)	1.700 (43.2)	1.750 (44.5)
24	2.252 (57.2)	.795 (20.2)	2.000 (50.8)	1.4375-18UNEF	1.850 (47.0)	1.610 (40.9)	1.7500-18 UNEF	1.327 (33.7)	.189 (4.8)	.358 (9.1)	1.950 (49.5)	2.000 (50.8)
28	2.500 (63.5)	.886 (22.5)	2.165 (54.9)	1.7500-18UNS	2.100 (53.3)	1.839 (46.7)	2.0000-18 UNS	1.386 (35.2)	.220 (5.6)	.335 (8.5)	2.200 (55.9)	2.250 (57.2)
32	2.748 (69.8)	.972 (24.7)	2.441 (62.0)	2.0000-18UNS	2.100 (53.3)	2.102 (53.4)	2.2500-16 UN	1.386 (35.2)	.220 (5.6)	.256 (6.5)	2.450 (62.2)	2.500 (63.5)
36	3.000 (76.2)	1.059 (26.9)	2.795 (71.0)	2.2500-18UN	2.100 (53.3)	2.346 (59.6)	2.5000-16 UN	1.386 (35.2)	.220 (5.6)	.327 (8.3)	2.700 (68.6)	2.750 (69.9)

Dimensions are in inches (mm).



Panel Cutout

RS07 W N 20-15 S N - E2 - 02

- 1 **BASIC PART NUMBER**
RS07 Jam nut solder receptacle (wall mount)
RC07 Jam nut crimp receptacle (wall mount)
- 2 **SHELL MATERIAL & FINISH**
W Aluminum, olive drab cadmium
- 3 **INSERT MATERIAL**
N Standard resilient neoprene
V Viton, chemical resistant, high temperature
F Flame retardant, low smoke, halogen free
- 4 **SHELL SIZE & INSERT ARRANGEMENT**
 See Insert Arrangement Selection table, p. V-12
- 5 **CONTACT STYLE**
P Pin
S Socket
- 6 **INSERT ROTATION**
N NORMAL or W, X, Y, Z, see p. V-12 for availability
- 7 **BACKSHELL (OMIT FOR NONE)**
E2 Straight cable sealing backshell, p. V-30
E4 90° cable sealing backshell, p. V-31
F2 Straight wire sealing backshell, p. V-32
F4 90° wire sealing backshell, p. V-33
- 8 **OPTIONAL ACCESSORY KIT (OMIT FOR NONE)**
02 Protective cover

Note: See part builder (p. V-11) for additional kit options.