

90° Cable Sealing Backshell

RS Series • MIL-DTL-5015 Reverse Bayonet

RS06WN12-3PN - E4

- 1 **CONNECTOR PART NUMBER**
Basic RS Series part number
- 2 **BACKSHELL PART NUMBER (ADD TO CONNECTOR)**
E4 90° environmental cable sealing backshell w/
compression gland & strain relief cable clamp



Note: See part builder (p. V-11) for additional kit options.

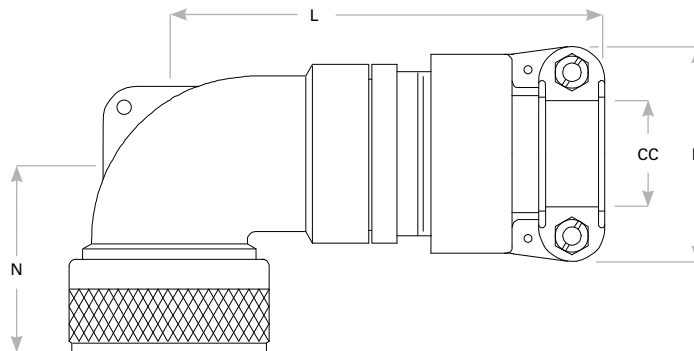
RSE4 Compatibility

Compatible Connectors	Compatible Brands
AS95234/1, AS95234/4, AS95234/5, AS95234/6, AS95234/7, AS95234/8, AS95234/9 VG95234 Plugs, VG95234 Receptacles	AS95234 VG95234
GTS00, GTS01, GTS030, GTS06, GTS070, GTC00, GTC01, GTC030, GTC06, GTC070 ACA3100-B, ACA3101-B, ACA3103-B, ACA3106-B 97B-3100, 97B-3101, 97B-3106, 97B-3107, 97B-4100, 97B-4101, 97B-4106, 97B-4107	Amphenol
CA3100, CA3101, CA3106, CB0, CB1, CB6 CIR00, CIR030, CIR06, CIR070	ITT Cannon Veam

Backshell Dimensions

Shell Size	Approximate Overall Length With Matching Connectors					N	B	L	CC Cable Entry Max
	RS06	RS00	RS04	RS07	RS01				
10SL	2.110 (53.6)	2.224 (56.5)	2.224 (56.5)	2.563 (65.1)	2.224 (56.5)	.945 (24.0)	.937 (23.8)	2.402 (61.0)	.312 (7.9)
14S	2.213 (56.2)	2.327 (59.1)	2.327 (59.1)	2.772 (70.4)	2.327 (59.1)	.984 (25.0)	1.063 (27.0)	2.402 (61.0)	.438 (11.1)
16S	2.354 (59.8)	2.469 (62.7)	2.469 (62.7)	2.913 (74.0)	2.469 (62.7)	1.063 (27.0)	1.189 (30.2)	2.402 (61.0)	.562 (14.3)
16	2.724 (69.2)	2.713 (68.9)	2.713 (68.9)	3.291 (83.6)	2.713 (68.9)	1.063 (27.0)	1.189 (30.2)	2.402 (61.0)	.562 (14.3)
18	2.898 (73.6)	2.898 (73.6)	2.898 (73.6)	3.508 (89.1)	2.898 (73.6)	1.185 (30.1)	1.311 (33.3)	2.677 (68.0)	.625 (15.9)
20	3.138 (79.7)	3.138 (79.7)	3.138 (79.7)	3.736 (94.9)	3.138 (79.7)	1.299 (33.0)	1.563 (39.7)	2.677 (68.0)	.750 (19.1)
22	3.142 (79.8)	3.130 (79.5)	3.130 (79.5)	4.012 (101.9)	3.130 (79.5)	1.303 (33.1)	1.563 (39.7)	2.677 (68.0)	.750 (19.1)
24	3.500 (88.9)	3.563 (90.5)	3.563 (90.5)	4.035 (102.5)	3.563 (90.5)	1.492 (37.9)	1.752 (44.5)	2.992 (76.0)	.938 (23.8)
28	3.469 (88.1)	3.531 (89.7)	3.531 (89.7)	4.106 (104.3)	3.531 (89.7)	1.461 (37.1)	1.752 (44.5)	2.992 (76.0)	.938 (23.8)
32	4.016 (102.0)	4.016 (102.0)	4.016 (102.0)	4.591 (116.6)	4.016 (102.0)	1.697 (43.1)	2.252 (57.2)	3.425 (87.0)	1.250 (31.8)
36	4.189 (106.4)	4.189 (106.4)	4.189 (106.4)	4.764 (121.0)	4.189 (106.4)	1.807 (45.9)	2.374 (60.3)	3.858 (98.0)	1.375 (34.9)

Dimensions are in inches (mm).



Rev. 1832

RS