

RSCP - W 16

- 1 **BASIC PART NUMBER**
RSCP Plug Cover
RSCR Receptacle Cover
- 2 **MATERIAL & FINISH**
W Aluminum, Olive Drab Cadmium
- 3 **SHELL SIZE**
 See Protective Cover Dimensions table below



Note: See part builder (p. V-11) for additional kit options.

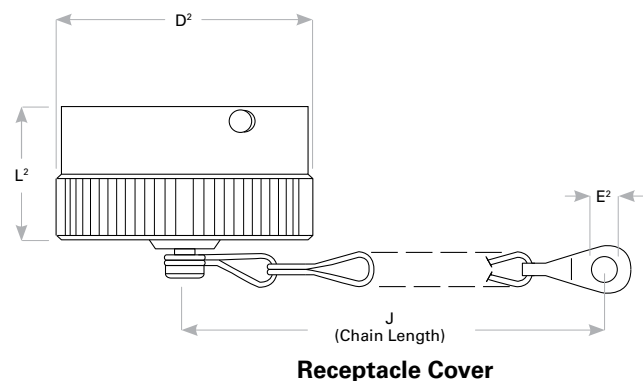
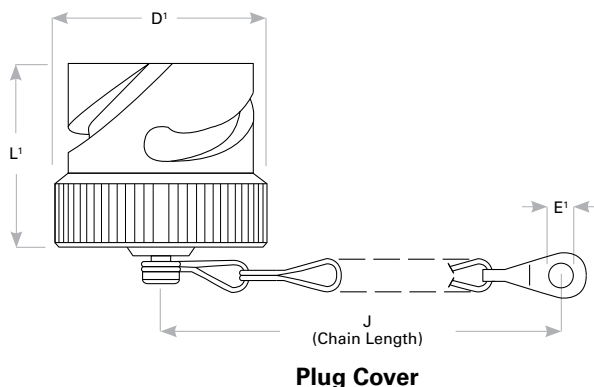
RSCP Cross-Reference & Compatibility

Compatible Brands	Plugs	Receptacles
AS95234	AS95234/6, AS95234/9	AS95234/1, AS95234/2, AS95234/3, AS95234/4, AS95234/5, AS95234/6, AS95234/7, AS95234/8, AS95234/9
VG95234	VG95234 Plugs	VG95234 Receptacles
Amphenol	GTS06, GTC06, ACA3106 • B 97B-4106, 97B-4108	GTS Recept., GTC Recept., ACA Recept., 97B Recept.
ITT Cannon	CB6, CA3106 • B	CB Recept., CA • B Recept.
Veam	CIR06	CIR Recept.

Protective Cover Dimensions

Shell Size	L ¹ Max	D ¹ Max	E ¹	J Chain Length	L ² Max	D ² Max	E ²
10SL	1.142 (29.0)	.827 (21.0)	.173 (4.4)	4.500 (114.3)	.787 (20.0)	.925 (23.5)	.173 (4.4)
14S	1.142 (29.0)	1.083 (27.5)	.173 (4.4)	5.000 (127.0)	.787 (20.0)	1.201 (30.5)	.173 (4.4)
16S	1.142 (29.0)	1.181 (30.0)	.173 (4.4)	5.000 (127.0)	.787 (20.0)	1.299 (33.0)	.173 (4.4)
16	1.457 (37.0)	1.181 (30.0)	.173 (4.4)	5.000 (127.0)	.984 (25.0)	1.299 (33.0)	.173 (4.4)
18	1.457 (37.0)	1.319 (33.5)	.173 (4.4)	5.500 (139.7)	.984 (25.0)	1.476 (37.5)	.173 (4.4)
20	1.457 (37.0)	1.457 (37.0)	.189 (4.8)	5.500 (139.7)	.984 (25.0)	1.614 (41.0)	.173 (4.4)
22	1.457 (37.0)	1.575 (40.0)	.189 (4.8)	5.500 (139.7)	.984 (25.0)	1.732 (44.0)	.173 (4.4)
24	1.457 (37.0)	1.713 (43.5)	.189 (4.8)	8.250 (209.6)	.984 (25.0)	1.870 (47.5)	.173 (4.4)
28	1.457 (37.0)	1.949 (49.9)	.189 (4.8)	8.250 (209.6)	.984 (25.0)	2.146 (54.5)	.220 (5.6)
32	1.457 (37.0)	2.205 (56.0)	.220 (5.6)	8.250 (209.6)	.984 (25.0)	2.402 (61.0)	.220 (5.6)
36	1.457 (37.0)	2.461 (62.5)	.220 (5.6)	8.250 (209.6)	.984 (25.0)	2.657 (67.5)	.220 (5.6)

Dimensions are in inches (mm).



Rev. 1832

RS