

# Mounting Bracket

RS Series • MIL-DTL-5015 Series Reverse Bayonet



## RSGE Compatibility

Compatible Brands	Receptacles
AS95234	AS95234/2, AS95234/3, AS95234/4, AS95234/5, AS95234/6, AS95234/9
VG95234	VG95234 Receptacles
Amphenol	GTS00, GTS02, GTS030, GTC00, GTC02 GTC030, ACA3100-B, ACA3102-B, ACA3103-B, 97B-3100, 97B-3102, 97B-4100, 97B-4102
ITT Cannon	CA3100-B, CA3102-B, CB0, CB2
Veam	CIR00, CIR02, CIR030

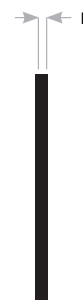
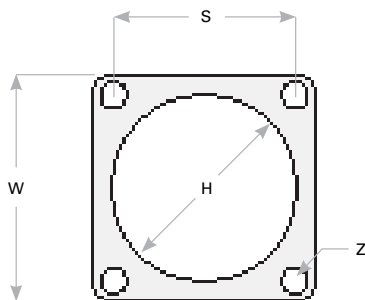
## RSGE - 14

- 1 **BASIC PART NUMBER**
  - RSGE** Neoprene environmental (weather resistant)  
Temp. range -40°F to +230°F (-40°C to +110°C)
  - RSGS** Conductive EMI-RFI neoprene, Ni-Cu alloy mesh  
Temp. range -40°F to +230°F (-40°C to +110°C)
  - RSGL** Fluorosilicone (jet fuel & oil resistant)  
Temp. range -70°F to +392°F (-56°C to +200°C)  
Per MIL-DTL-25988, Class 1, Grade 6
  - RSGD** Conductive EMI-RFI fluorosilicone, Al-Ag filled  
Temp. range -70°F to +392°F (-56°C to +200°C)  
Shielding effectiveness at 90 dB @ 10 GHz  
Per MIL-DTL-83528, Type D
- 2 **SHELL SIZE**  
See Gasket Dimensions table below

**Note:** See part builder (p. V-11) for additional kit options.

## Gasket Dimensions

Shell Size	W	S	Z Dia	H Dia	F
10	1.000 (25.4)	.719 (18.3)	.172 (4.4)	.625 (15.9)	.031 (.8)
12	1.094 (27.8)	.813 (20.7)	.172 (4.4)	.750 (19.1)	.031 (.8)
14	1.188 (30.2)	.906 (23.0)	.172 (4.4)	.875 (22.2)	.031 (.8)
16	1.281 (32.5)	.969 (24.6)	.172 (4.4)	1.000 (25.4)	.031 (.8)
18	1.375 (34.9)	1.063 (27.0)	.203 (5.2)	1.125 (28.6)	.031 (.8)
20	1.500 (38.1)	1.156 (29.4)	.203 (5.2)	1.250 (31.8)	.031 (.8)
22	1.625 (41.3)	1.250 (31.8)	.203 (5.2)	1.375 (34.9)	.031 (.8)
24	1.750 (44.5)	1.375 (34.9)	.203 (5.2)	1.500 (38.1)	.031 (.8)
28	2.000 (50.8)	1.563 (39.7)	.203 (5.2)	1.750 (44.5)	.031 (.8)
32	2.250 (57.2)	1.750 (44.5)	.219 (5.6)	2.000 (50.8)	.031 (.8)
36	2.500 (63.5)	1.938 (49.2)	.219 (5.6)	2.188 (55.6)	.031 (.8)



Rev. 1832