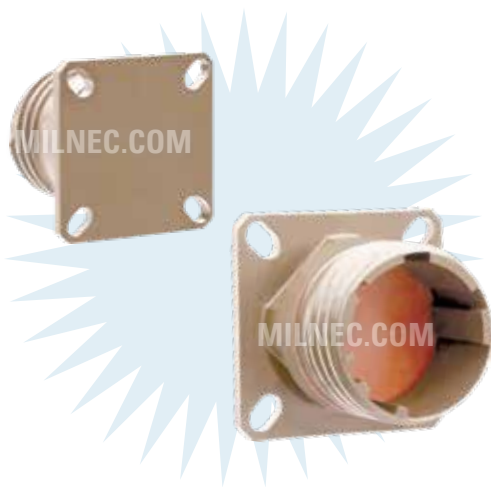


D38999/22 Type Dummy Stowage Receptacle

RY85049 Series • M85049 Type Backshells



RY38999/22 D J

- 1 **BASIC PART NUMBER**
RY38999/22
 D38999/22 type
 Dummy stowage receptacle
- 2 **SHELL SIZE CODE**
 See Dimensions table below
- 3 **MATERIAL & FINISH**
 - C** Aluminum, anodize
 - F** Aluminum, electroless nickel
 - H** Stainless steel, passivated (space-grade)
 - J** Composite, olive drab cadmium
 - K** Corrosion-resistant steel passivate
 - M** Composite, electroless nickel
 - N** Stainless steel, electrodeposited nickel
 - W** Aluminum, olive drab cadmium
 - Y** Stainless steel, passivated

RY38999/22 Compatibility

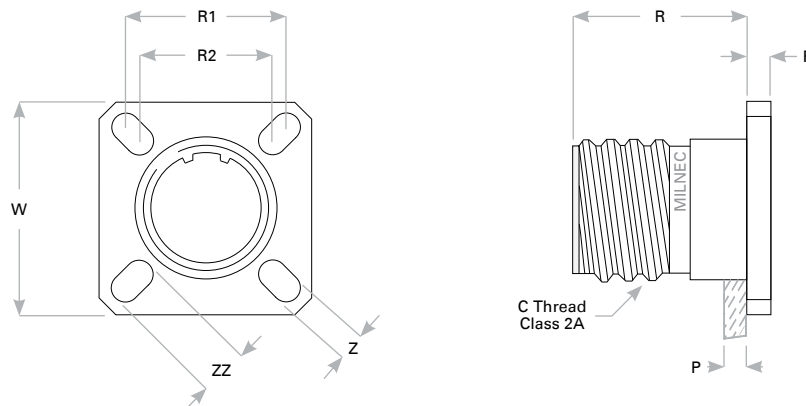
Compatible Connector Series

MIL-DTL-38999, Series III

Stowage Receptacle Dimensions

Shell Size Code	Shell Size	W	ZZ	Z	C Thread Class 2A	R	F	P Max Rear Panel†	R1	R2
A *	9	.938 (23.8)	.216 (5.5)	.128 (3.3)	.6250-0.1P-0.3L-TS	.822 (20.9)	.098 (2.5)	.234 (5.9)	.719 (18.3)	.594 (15.1)
AA †	9	.938 (23.8)	.216 (5.5)	.128 (3.3)	.6250-0.1P-0.3L-TS	.822 (20.9)	.098 (2.5)	.234 (5.9)	.719 (18.3)	.594 (15.1)
B	11	1.031 (26.2)	.194 (4.9)	.128 (3.3)	.7500-0.1P-0.3L-TS	.822 (20.9)	.098 (2.5)	.234 (5.9)	.812 (20.6)	.719 (18.3)
C	13	1.125 (28.6)	.194 (4.9)	.128 (3.3)	.8750-0.1P-0.3L-TS	.822 (20.9)	.098 (2.5)	.234 (5.9)	.906 (23.0)	.812 (20.6)
D	15	1.219 (31.0)	.173 (4.4)	.128 (3.3)	1.0000-0.1P-0.3L-TS	.822 (20.9)	.098 (2.5)	.234 (5.9)	.969 (24.6)	.906 (23.0)
E	17	1.312 (33.3)	.194 (4.9)	.128 (3.3)	1.1875-0.1P-0.3L-TS	.822 (20.9)	.098 (2.5)	.234 (5.9)	1.062 (27.0)	.969 (24.6)
F	19	1.438 (36.5)	.194 (4.9)	.128 (3.3)	1.2500-0.1P-0.3L-TS	.822 (20.9)	.098 (2.5)	.234 (5.9)	1.156 (29.4)	1.062 (27.0)
G	21	1.562 (39.7)	.194 (4.9)	.128 (3.3)	1.3750-0.1P-0.3L-TS	.791 (20.1)	.125 (3.2)	.234 (5.9)	1.250 (31.8)	1.156 (29.4)
H	23	1.688 (42.9)	.242 (6.1)	.154 (3.9)	1.5000-0.1P-0.3L-TS	.791 (20.1)	.125 (3.2)	.234 (5.9)	1.375 (34.9)	1.250 (31.8)
J	25	1.812 (46.0)	.242 (6.1)	.154 (3.9)	1.6250-0.1P-0.3L-TS	.791 (20.1)	.125 (3.2)	.234 (5.9)	1.500 (38.1)	1.375 (34.9)

Dimensions are in inches (mm). * Shell size code A is for polarization C, E, and N only. † Shell size code AA is for polarization A, B, and D only.



Rev. 1825