

# Solder Mount Receptacle (Hermetic)

TX Series • D38999 Style Space-Grade Connectors



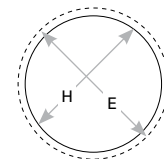
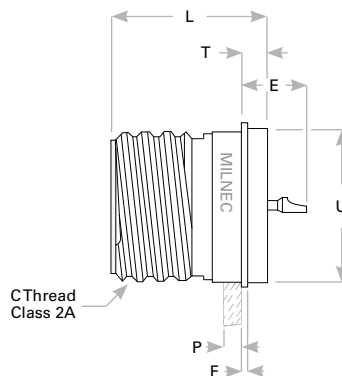
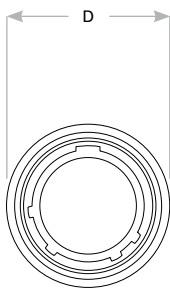
## TX19 Compatibility

Compatible Brands	Mates
MIL-DTL-38999 Series III	D38999/26
Aero / Conesys	AE326
Amphenol	TV06, TVS06, CTV06, CTVS06
Deutsch	DTS26
ITT Cannon	KJA6
Souriau	8D5, 8DS06G

## Receptacle Dimensions

Shell Size	Military Shell Size	D	C Thread Class 2A	L	F	T	E	U	P Max Rear Panel†	H Front Mount	E Rear Mount
9	A	.750 (19.1)	.6250-0.1P-0.3L-TS	.806 (20.5)	.031 (0.8)	.125 (3.2)	.375 (9.5)	.672 (17.1)	.234 (5.9)	.702 (17.8)	.650 (16.5)
11	B	.844 (21.4)	.7500-0.1P-0.3L-TS	.806 (20.5)	.031 (0.8)	.125 (3.2)	.375 (9.5)	.781 (19.8)	.234 (5.9)	.811 (20.6)	.800 (20.3)
13	C	.969 (24.6)	.8750-0.1P-0.3L-TS	.806 (20.5)	.031 (0.8)	.125 (3.2)	.375 (9.5)	.906 (23.0)	.234 (5.9)	.936 (23.8)	.910 (23.1)
15	D	1.094 (27.8)	1.0000-0.1P-0.3L-TS	.806 (20.5)	.031 (0.8)	.125 (3.2)	.375 (9.5)	1.031 (26.2)	.234 (5.9)	1.061 (27.0)	1.040 (26.4)
17	E	1.218 (30.9)	1.1875-0.1P-0.3L-TS	.806 (20.5)	.031 (0.8)	.125 (3.2)	.375 (9.5)	1.156 (29.4)	.234 (5.9)	1.186 (30.1)	1.210 (30.7)
19	F	1.312 (33.3)	1.2500-0.1P-0.3L-TS	.806 (20.5)	.031 (0.8)	.125 (3.2)	.375 (9.5)	1.250 (31.8)	.234 (5.9)	1.280 (32.5)	1.280 (32.5)
21	G	1.438 (36.5)	1.3750-0.1P-0.3L-TS	.806 (20.5)	.031 (0.8)	.125 (3.2)	.375 (9.5)	1.375 (34.9)	.234 (5.9)	1.405 (35.7)	1.410 (35.8)
23	H	1.563 (39.7)	1.5000-0.1P-0.3L-TS	.838 (21.3)	.031 (0.8)	.156 (4.0)	.375 (9.5)	1.500 (38.1)	.234 (5.9)	1.530 (38.9)	1.530 (38.9)
25	J	1.688 (42.9)	1.6250-0.1P-0.3L-TS	.838 (21.3)	.031 (0.8)	.156 (4.0)	.375 (9.5)	1.625 (41.3)	.234 (5.9)	1.655 (42.0)	1.660 (42.2)

Dimensions are in inches (mm). † Max panel thickness applies only to rear mount applications to ensure proper coupling clearance.



Panel Cutout

## TX19 HG 11-99 P N - 02



- 1 **BASIC PART NUMBER**  
**TX19** Hermetic solder mount receptacle  
 Helium leakage <math> < 1.0 \times 10^{-6}</math> cc<sup>3</sup>/sec at 15 psi (1.1 kg/cm<sup>2</sup>). Insert rated to 14,000 psi (984 kg/cm<sup>2</sup>) when precision welded or soldered.
- 2 **MATERIAL & FINISH**  
**HG** Stainless steel, electrodeposited nickel (space-grade)
- 3 **SHELL SIZE & INSERT ARRANGEMENT**  
 See Insert Arrangement Selection table, p. B-19 (Verify hermetic availability on table)
- 4 **CONTACT STYLE**  
**P** Pin only, gold plated  
**H\*** Socket, gold plated  
(PC tail contacts available, contact your authorized distributor)
- 5 **ALTERNATE KEYING**  
**N** NORMAL or A, B, C, D, E
- 6 **OPTIONAL ACCESSORY KIT (OMIT FOR NONE)**  
**02** Protective cover

\* Please consult an authorized distributor for lead time and minimum quantity requirements.

TX