

PSCD - 16 F - 02

- 1 **BASIC PART NUMBER**
PSCD Stowage receptacle (thru-hole flange)
PSCC Stowage receptacle (solid flange)
- 2 **SHELL SIZE**
 See Stowage Receptacle Dimensions table below
- 3 **MATERIAL & FINISH**
F Aluminum, olive drab cadmium
- 4 **OPTIONAL ACCESSORY KIT (OMIT FOR NONE)**
02 Protective cover + mounting gasket
03 02 kit + mounting bracket + sealing screws



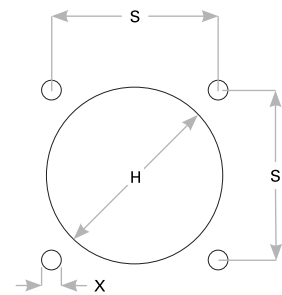
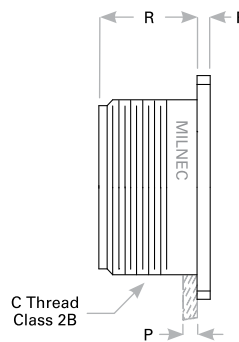
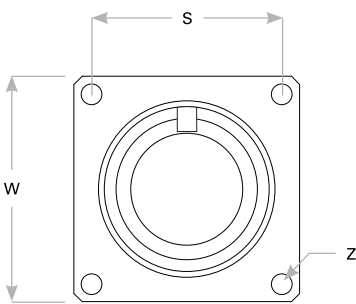
Note: See part builder (p. C-13) for additional kit options.

Store and safely isolate unmated cables
 Prevent operator injury and connector damage by providing a safe place to safely stow and organize unused cables. Solid flange (PSCC) stowage receptacles are available when full environmental sealing is required. Covers are also recommended to keep unused stowage receptacles clean and dry.

Stowage Receptacle Dimensions

Shell Size	W	S	Z	C Thread Class 2B	R	F	P Max Rear Panel†	S	X	H
10S	1.031 (26.2)	.719 (18.3)	.130 (3.3)	.625-24 UNEF	.593 (15.1)	.156 (4.0)	.125 (3.2)	.719 (18.3)	.120 (3.1)	.688 (17.5)
12S	1.125 (28.6)	.812 (20.6)	.130 (3.3)	.750-20 UNEF	.593 (15.1)	.156 (4.0)	.125 (3.2)	.812 (20.6)	.120 (3.1)	.812 (20.6)
14S	1.219 (31.0)	.906 (23.0)	.130 (3.3)	.875-20 UNEF	.593 (15.1)	.156 (4.0)	.125 (3.2)	.906 (23.0)	.120 (3.1)	.938 (23.8)
16S	1.312 (33.3)	.969 (24.6)	.130 (3.3)	1.000-20 UNEF	.593 (15.1)	.156 (4.0)	.125 (3.2)	.969 (24.6)	.120 (3.1)	1.062 (27.0)
18	1.406 (35.7)	1.062 (27.0)	.130 (3.3)	1.125-18 UNEF	.781 (19.8)	.203 (5.2)	.125 (3.2)	1.062 (27.0)	.120 (3.1)	1.188 (30.2)
20	1.531 (38.9)	1.156 (29.4)	.130 (3.3)	1.250-18 UNEF	.781 (19.8)	.203 (5.2)	.125 (3.2)	1.156 (29.4)	.120 (3.1)	1.312 (33.3)
22	1.656 (42.1)	1.250 (31.8)	.130 (3.3)	1.375-18 UNEF	.781 (19.8)	.203 (5.2)	.125 (3.2)	1.250 (31.8)	.120 (3.1)	1.438 (36.5)
24	1.781 (45.2)	1.375 (34.9)	.157 (4.0)	1.500-18 UNEF	.843 (21.4)	.203 (5.2)	.125 (3.2)	1.375 (34.9)	.147 (3.7)	1.562 (39.7)
28	2.031 (51.6)	1.562 (39.7)	.157 (4.0)	1.750-18 UNS	.843 (21.4)	.203 (5.2)	.125 (3.2)	1.562 (39.7)	.147 (3.7)	1.812 (46.0)
32	2.281 (57.9)	1.750 (44.5)	.183 (4.6)	2.000-18 UNS	.906 (23.0)	.359 (9.1)	.125 (3.2)	1.750 (44.5)	.173 (4.4)	2.062 (52.4)
36	2.531 (64.3)	1.938 (49.2)	.183 (4.6)	2.250-16 UN	.906 (23.0)	.359 (9.1)	.125 (3.2)	1.938 (49.2)	.173 (4.4)	2.312 (58.7)

Dimensions are in inches (mm). † Max panel thickness applies only to rear mount applications to ensure proper coupling clearance.



Panel Cutout