

M28840 Straight Strain Relief Backshell

NS Series • MIL-DTL-28840 Type Connectors



NSB2 - 15 W

- 1 **BASIC PART NUMBER**
NSB2 Straight strain relief backshell
- 2 **SHELL SIZE**
See Strain Relief Dimensions table below
- 3 **MATERIAL & FINISH**
W Aluminum, olive drab cadmium
D Stainless steel, black cadmium plate

Note: See part builder (p. Z-7) for additional kit options.

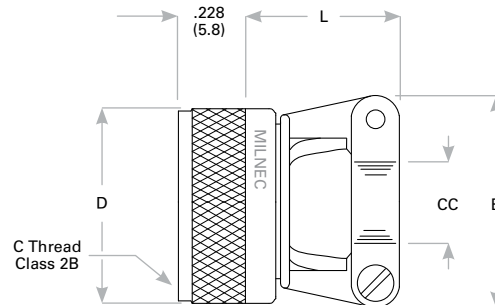
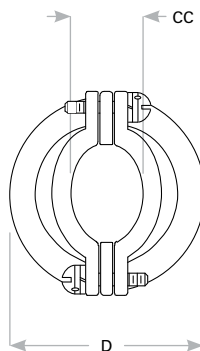
NSB2 Compatibility

Compatible Brands	Connectors
MIL-DTL-28840	M28840/10, M28840/11, M28840/14, M28840/16

Strain Relief Dimensions

Shell Size	D Max	C Thread Class 2B	L Max	B Max	CC Cable Clearance	
					Min	Max
11	1.028 (26.1)	.750-20 UNEF	1.091 (27.7)	.903 (22.9)	.177 (4.5)	.286 (7.7)
13	1.141 (29.0)	.875-20 UNEF	1.091 (27.7)	.977 (24.8)	.177 (4.5)	.286 (7.3)
15	1.263 (32.1)	1.000-20 UNEF	1.091 (27.7)	1.151 (29.2)	.250 (6.4)	.416 (10.6)
17	1.387 (35.2)	1.125-18 UNEF	1.206 (30.6)	1.281 (32.5)	.291 (7.4)	.476 (12.1)
19	1.513 (38.4)	1.250-18 UNEF	1.320 (33.5)	1.406 (35.7)	.348 (8.8)	.626 (15.9)
23	1.703 (43.3)	1.438-18 UNEF	1.445 (36.7)	1.576 (40.0)	.429 (10.9)	.831 (21.1)
25	1.825 (46.4)	1.562-18 UNEF	1.570 (39.9)	1.666 (42.3)	.523 (13.3)	.956 (24.3)
29	2.143 (54.4)	1.875-16 UN	1.721 (43.7)	2.046 (52.0)	.643 (16.3)	1.081 (27.5)
33	2.329 (59.2)	2.062-16 UNS	1.908 (48.5)	2.209 (56.1)	.704 (17.9)	1.187 (30.2)

Dimensions are in inches (mm).



Rev. 1825