

# M28876/14 Connector Type Datasheet

NF Series • MIL-DTL-28876 Type Connectors

## NF07 W 15-8 P 1 - E4(001) - 02

- 1 **BASIC PART NUMBER**  
NF07 Fiber optic jam nut receptacle
- 2 **MATERIAL & FINISH**  
W Aluminum, olive drab cadmium  
B Aluminum, hard anodize with PTFE
- 3 **SHELL SIZE & INSERT ARRANGEMENT**  
See Insert Arrangement Drawings, p. NF-6
- 4 **TERMINUS STYLE (TERMINI NOT INCLUDED)**  
P Pin  
S Socket
- 5 **ALTERNATE KEYING**  
1 or 2, 3, 4, 5, 6
- 6 **BACKSHELL KIT**  
E4( ) 90° environmental backshell  
(Add dash number for size, see Backshell table)
- 7 **OPTIONAL ACCESSORY KIT (OMIT FOR NONE)**  
02 Protective cover



Photo for example only

### NF07 Cross Reference & Compatibility

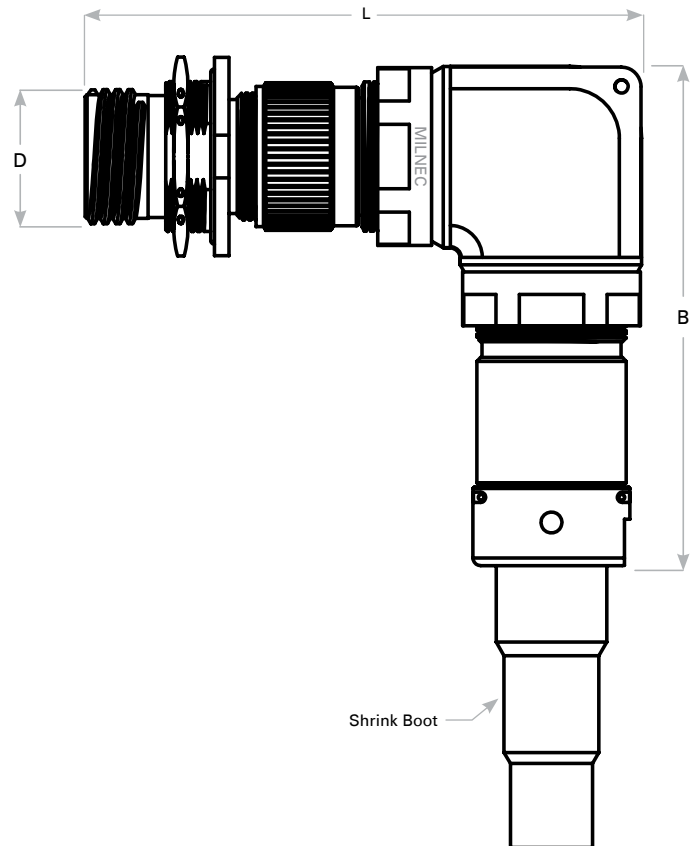
Compatible Brands	Equivalent	Mates
MIL-DTL-28876	M28876/14	MS28876/6, MS28876/7, MS28876/8, MS28876/9
Amphenol	FS3M4, FS3M6, FS3M7	FS3M1, FS3M2, FS3M3

### Dimensions

Shell Size	Military Shell Size	D Max	L Max	B Max
11	A	.750 (19.1)	4.250 (108.0)	4.250 (108.0)
13	B	.875 (22.2)	4.250 (108.0)	4.250 (108.0)
15	C	1.062 (27.0)	4.500 (114.3)	4.500 (114.3)
23	F	1.500 (38.1)	5.000 (127.0)	5.000 (127.0)

### Backshell

Dash No.	Max Cable Clearance by Shell Size			
	11	13	15	23
001	.250 (6.4)	.285 (7.2)	.500 (12.7)	.866 (22.0)
002	.346 (8.8)	.346 (8.8)	.250 (6.4)	1.000 (25.4)
003	—	.453 (11.5)	.375 (9.5)	.600 (15.2)



Rev. 2243