

M28876/3 Connector Type Datasheet

NF Series • MIL-DTL-28876 Type Connectors



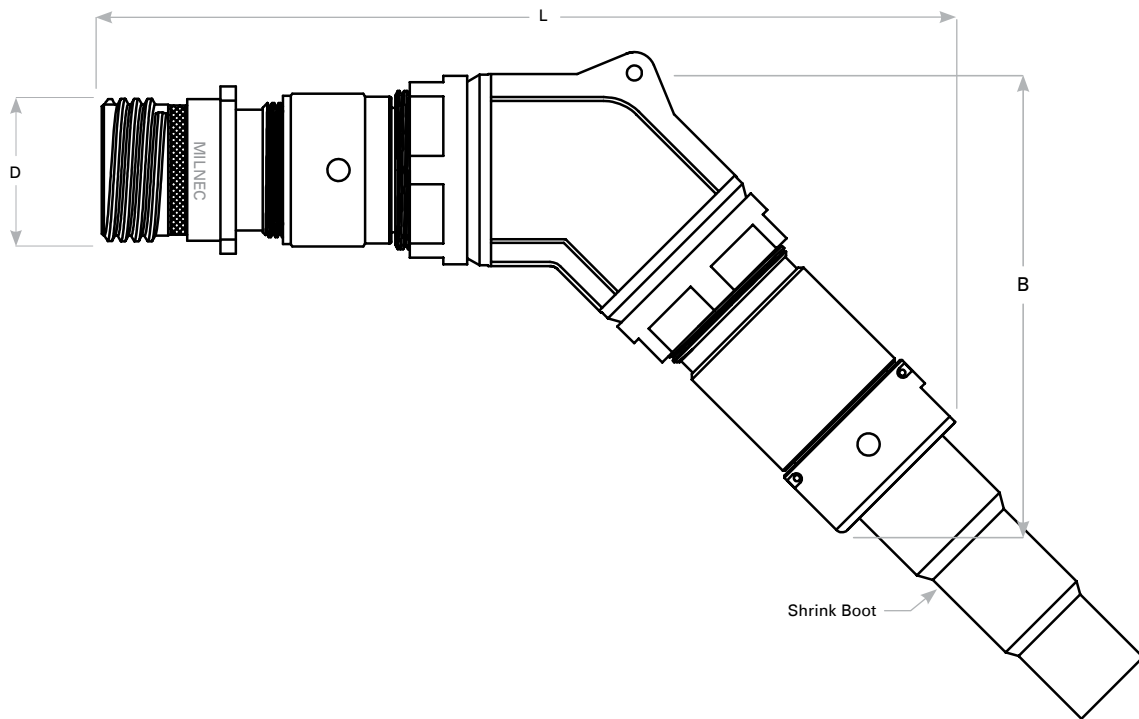
Photo for example only

NF00 Cross Reference & Compatibility

Compatible Brands	Equivalent	Mates
MIL-DTL-28876	M28876/3	MS28876/6, MS28876/7, MS28876/8, MS28876/9
Amphenol	FS3M4, FS3M6, FS3M7	FS3M1, FS3M2, FS3M3

NF00 W 15-8 P 1 - E3(001) - 01

- 1 **BASIC PART NUMBER**
NF00 Fiber optic wall mount receptacle
- 2 **MATERIAL & FINISH**
W Aluminum, olive drab cadmium
B Aluminum, hard anodize with PTFE
- 3 **SHELL SIZE & INSERT ARRANGEMENT**
See Insert Arrangement Drawings, p. NF-6
- 4 **TERMINUS STYLE (TERMINI NOT INCLUDED)**
P Pin
S Socket
- 5 **ALTERNATE KEYING**
1 or 2, 3, 4, 5, 6
- 6 **BACKSHELL KIT**
E3 () 45° environmental backshell
(Add dash number for size, see Backshell table)
- 7 **OPTIONAL ACCESSORY KIT (OMIT FOR NONE)**
02 Protective cover + mounting gasket
03 02 kit + mounting bracket + sealing screws



Dimensions

Shell Size	Military Shell Size	D Max	L Max	B Max
11	A	.750 (19.1)	6.150 (156.2)	3.540 (89.9)
13	B	.875 (22.2)	6.220 (158.0)	3.580 (90.9)
15	C	1.062 (27.0)	6.500 (165.1)	3.850 (97.8)
23	F	1.500 (38.1)	7.500 (190.5)	5.000 (127.0)

Dimensions are in inches (mm).

Backshell

Dash No.	Max Cable Clearance by Shell Size			
	11	13	15	23
001	.250 (6.4)	.285 (7.2)	.500 (12.7)	.866 (22.0)
002	.346 (8.8)	.346 (8.8)	.250 (6.4)	1.000 (25.4)
003	—	.453 (11.5)	.375 (9.5)	.600 (15.2)