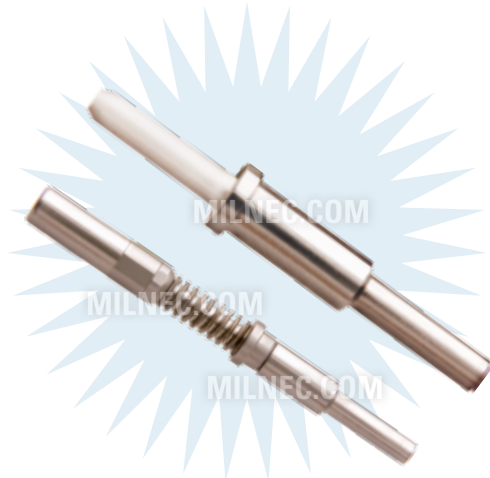


# M29504/04 Type D38999 #16 Fiber Optic Pin Terminus

Ry85049 Series • M85049 Type Backshells

## MIL-DTL-38999 Series III #16 Fiber Optic Pins

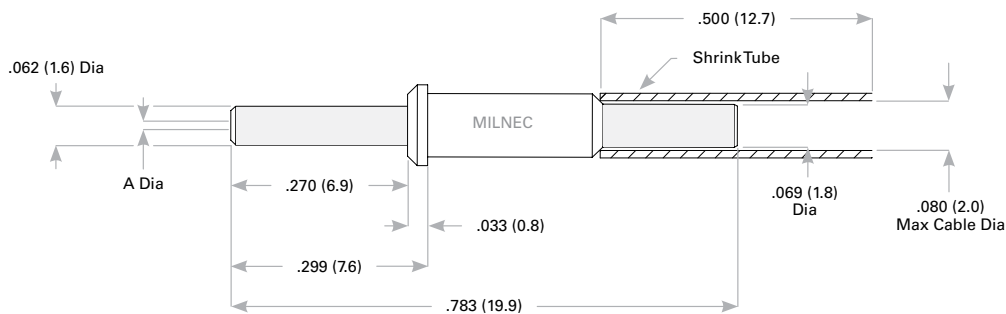
Pin Part Number	Fiber Size Core/Cladding	Mode	A Dia (Microns)	M29504/04-Reference
RY29504/04-4208	9/125	Single	125.5	M29504/04-4208
RY29504/04-4209	9/125	Single	126	M29504/04-4209
RY29504/04-4210	50/125 & 62.5/125	Multi	126	M29504/04-4210
RY29504/04-4040	50/125 & 62.5/125	Multi	127	M29504/04-4040
RY29504/04-4043	100/140	Multi	142	M29504/04-4043
RY29504/04-4044	100/140	Multi	145	M29504/04-4044
RY29504/04-4211	62.5/125/155 (Polyimide)	Multi	156	M29504/04-4211
RY29504/04-4212	62.5/125/155 (Polyimide)	Multi	157	M29504/04-4212
RY29504/04-4087	100/140/172 (Polyimide)	Multi	173	M29504/04-4087
RY29504/04-4213	100/140/172 (Polyimide)	Multi	175	M29504/04-4213
RY29504/04-4214	200/233	Multi	236	M29504/04-4214
RY29504/04-4215	200/280	Multi	286	M29504/04-4215
RY29504/04-4216	400/440	Multi	448	M29504/04-4216



## RY29504/04 Compatibility

Compatible Connector Series

MIL-DTL-38999 Series III



Size 16 Fiber Optic Pin Termini