

# M83723/35A Type 90° Strain Relief Backshell

Ry85049 Series • M85049 Type Backshells

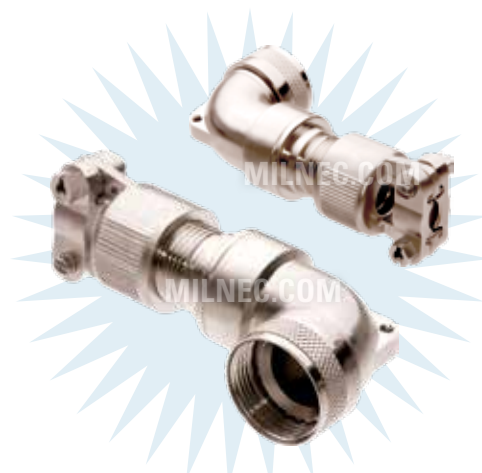
## RY83723/35A - 16 R

- 1 BASIC PART NUMBER  
RY83723/35A
- 2 SHELL SIZE
- 3 FINISH

M83723/35A type  
90° non-Environmental strain relief backshell

See Dimensions table below

- A Aluminum, black anodize
- R Aluminum, electroless nickel



### RY83723/35A Compatibility

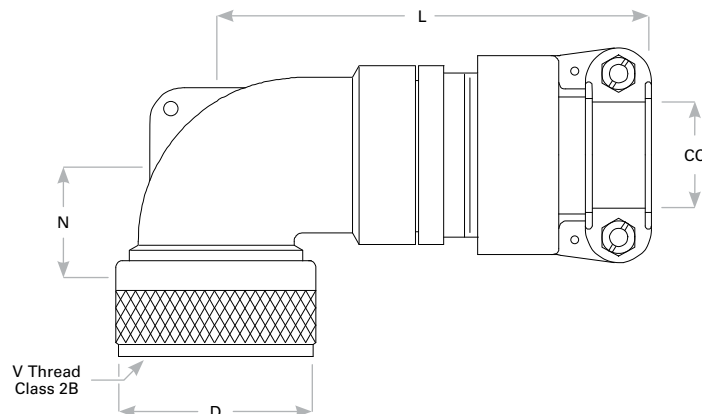
Compatible Connector Series

MIL-DTL-83723 Series II

### Backshell Dimensions

Shell Size	V Thread Class 2B	D Max	N Max	L Max	CC Cable Clearance	
					Min	Max
08	0.438 - 28 UNEF	0.805 (20.4)	1.187 (30.1)	1.220 (31.0)	0.102 (2.6)	0.235 (6.0)
10	0.500 - 28 UNEF	0.890 (22.6)	1.187 (30.1)	1.250 (31.8)	0.102 (2.6)	0.235 (6.0)
11	0.562 - 24 UNEF	0.975 (24.8)	1.312 (33.3)	1.280 (32.5)	0.140 (3.6)	0.297 (7.5)
13	0.625 - 24 UNEF	1.005 (25.5)	1.312 (33.3)	1.280 (32.5)	0.140 (3.6)	0.297 (7.5)
12	0.625 - 24 UNEF	1.005 (25.5)	1.468 (37.3)	1.280 (32.5)	0.140 (3.6)	0.297 (7.5)
15	0.750 - 20 UNEF	1.130 (28.7)	1.437 (36.5)	1.405 (35.7)	0.195 (5.0)	0.422 (10.7)
14	0.750 - 20 UNEF	1.130 (28.7)	1.594 (40.5)	1.405 (35.7)	0.195 (5.0)	0.422 (10.7)
17	0.875 - 20 UNEF	1.255 (31.9)	1.531 (38.9)	1.529 (38.8)	0.255 (6.5)	0.547 (13.9)
16	0.875 - 20 UNEF	1.255 (31.9)	1.687 (42.8)	1.529 (38.8)	0.255 (6.5)	0.547 (13.9)
18	1.000 - 20 UNEF	1.350 (34.3)	1.765 (44.8)	1.593 (40.5)	0.285 (7.2)	0.610 (15.5)
20	1.125 - 18 UNEF	1.475 (37.5)	2.000 (50.8)	1.655 (42.0)	0.350 (8.9)	0.735 (18.7)
22	1.250 - 18 UNEF	1.600 (40.6)	2.000 (50.8)	1.718 (43.6)	0.350 (8.9)	0.735 (18.7)
24	1.375 - 18 UNEF	1.725 (43.8)	2.265 (57.5)	1.894 (48.1)	0.468 (11.9)	0.922 (23.4)
28	1.625 - 18 UNEF	1.975 (50.2)	2.265 (57.5)	1.973 (50.1)	0.468 (11.9)	0.922 (23.4)
32	1.875 - 16 UN	2.225 (56.5)	2.578 (65.5)	2.187 (55.5)	0.664 (16.9)	1.235 (31.4)
36	2.125 - 16 UN	2.475 (62.9)	2.815 (71.5)	2.405 (61.1)	0.694 (17.6)	1.360 (34.5)
40	2.375 - 16 UN	2.750 (69.9)	5.800 (147.3)	5.100 (129.5)	0.911 (23.1)	1.630 (41.4)

Dimensions are in inches (mm).



Rev. 1825