

45° Environmental Backshell

EV Series • MIL-DTL-83723 Series III Type Connectors



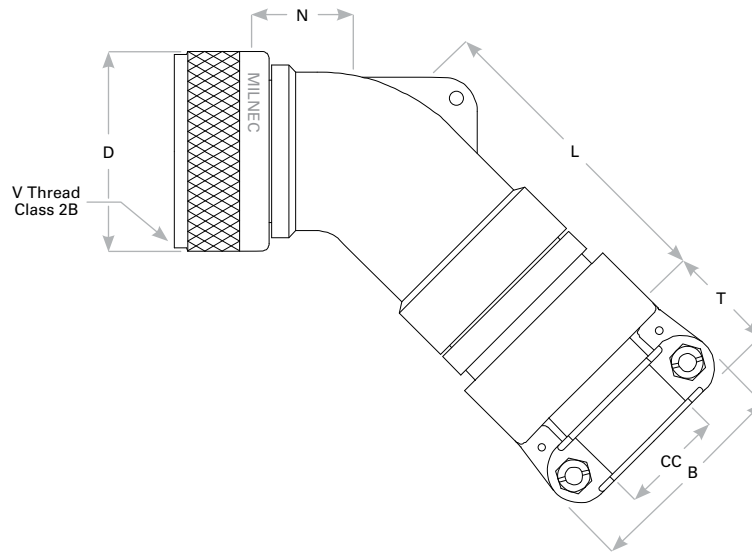
EVE3 - 009 N

- 1 **BASIC PART NUMBER**
EVE3 45° environmental backshell
- 2 **DASH NO.**
See Backshell Dimensions table below
- 3 **MATERIAL & FINISH**
N Aluminum, electroless nickel
W Aluminum, olive drab cadmium

Note: See overview (pp.T-4-T-5) for all connector and accessory options.

EVE3 Compatibility

| Compatible Brands | Connectors |
|--------------------------|--|
| MIL-DTL-83723 Series III | M83723/71, /72, /73, /74, /75, /76, /77, /78, /82, /83, /84, /85, /86, /87, /91, /92, /95, /96 |
| Aero / Conesys | AE83371, 72, 73, 74, 75, 76, 77, 78, 82, 83, 84, 85, 86, 87, 91, 92, 95, 96, 97, 98 |
| Amphenol / Matrix | MB30, MB34, MB36, MB38, MT30, MT34, MT36, MT37, MT38 |
| Deutsch / TE | DL60, DL64, DL66, DBA30, DBA34, DBA36 |



Backshell Dimensions

| Dash No. | Shell Size | V Thread Class 2B | N | T | D | B | L | CC Cable Clearance | |
|----------|------------|-------------------|--------------|--------------|-------------|--------------|--------------|--------------------|-------------|
| | | | | | | | | Min | Max |
| 003 | 8 | .5000-20 UNF | .625 (15.9) | 1.027 (26.1) | .617 (15.7) | .957 (24.3) | 1.244 (31.6) | .125 (3.2) | .250 (6.4) |
| 004 | 10 | .6250-24 UNEF | .688 (17.5) | 1.027 (26.1) | .734 (18.6) | .957 (24.3) | 1.912 (48.6) | .125 (3.2) | .312 (7.9) |
| 005 | 10 | .6250-24 UNEF | .688 (17.5) | 1.027 (26.1) | .734 (18.6) | 1.145 (29.1) | 1.307 (33.2) | .250 (6.4) | .375 (9.5) |
| 049 | 10 | .6250-24 UNEF | 1.500 (38.1) | 1.027 (26.1) | .734 (18.6) | 1.145 (29.1) | 1.972 (50.1) | .250 (6.4) | .437 (11.1) |

Dimensions are in inches (mm).

(Continued on next page)

Rev. 1806

Backshell Dimensions (Continued from previous page)

| Dash No. | Shell Size | V Thread Class 2B | N | T | D | B | L | CC Cable Clearance | |
|----------|------------|-------------------|--------------|--------------|--------------|--------------|--------------|--------------------|--------------|
| | | | | | | | | Min | Max |
| 006 | 12 | .7500-20 UNEF | .750 (19.1) | 1.027 (26.1) | .858 (21.8) | .957 (24.3) | 1.972 (50.1) | .125 (3.2) | .312 (7.9) |
| 007 | 12 | .7500-20 UNEF | .750 (19.1) | 1.027 (26.1) | .858 (21.8) | 1.145 (29.1) | 1.972 (50.1) | .250 (6.4) | .437 (11.1) |
| 008 | 12 | .7500-20 UNEF | .750 (19.1) | 1.027 (26.1) | .858 (21.8) | 1.332 (33.8) | 1.972 (50.1) | .350 (8.9) | .500 (12.7) |
| 071 | 12 | .7500-20 UNEF | 1.654 (42.0) | 1.027 (26.1) | .858 (21.8) | 1.332 (33.8) | 2.173 (55.2) | .350 (8.9) | .625 (15.9) |
| 074 | 14 | .8750-20 UNEF | .812 (20.6) | 1.027 (26.1) | .984 (25.0) | .957 (24.3) | 2.062 (52.4) | .125 (3.2) | .312 (7.9) |
| 009 | 14 | .8750-20 UNEF | .812 (20.6) | 1.027 (26.1) | .984 (25.0) | 1.145 (29.1) | 2.062 (52.4) | .250 (6.4) | .437 (11.1) |
| 010 | 14 | .8750-20 UNEF | .812 (20.6) | 1.027 (26.1) | .984 (25.0) | 1.332 (33.8) | 1.717 (43.6) | .350 (8.9) | .575 (14.6) |
| 050 | 14 | .8750-20 UNEF | 1.842 (46.8) | 1.059 (26.9) | .984 (25.0) | 1.551 (39.4) | 2.362 (60.0) | .500 (12.7) | .750 (19.1) |
| 075 | 16 | 1.0000-20 UNEF | .906 (23.0) | 1.027 (26.1) | 1.112 (28.2) | .957 (24.3) | 2.172 (55.2) | .125 (3.2) | .312 (7.9) |
| 011 | 16 | 1.0000-20 UNEF | .906 (23.0) | 1.027 (26.1) | 1.112 (28.2) | 1.145 (29.1) | 2.172 (55.2) | .250 (6.4) | .437 (11.1) |
| 040 | 16 | 1.0000-20 UNEF | .906 (23.0) | 1.027 (26.1) | 1.112 (28.2) | 1.332 (33.8) | 2.172 (55.2) | .350 (8.9) | .625 (15.9) |
| 012 | 16 | 1.0000-20 UNEF | .906 (23.0) | 1.059 (26.9) | 1.112 (28.2) | 1.551 (39.4) | 1.812 (46.0) | .500 (12.7) | .700 (17.8) |
| 051 | 16 | 1.0000-20 UNEF | 1.938 (49.2) | 1.156 (29.4) | 1.112 (28.2) | 1.770 (45.0) | 2.512 (63.8) | .625 (15.9) | .937 (23.8) |
| 041 | 18 | 1.0625-18 UNEF | 1.093 (27.8) | 1.027 (26.1) | 1.218 (30.9) | .957 (24.3) | 2.362 (60.0) | .125 (3.2) | .312 (7.9) |
| 042 | 18 | 1.0625-18 UNEF | 1.093 (27.8) | 1.027 (26.1) | 1.218 (30.9) | 1.145 (29.1) | 2.362 (60.0) | .250 (6.4) | .437 (11.1) |
| 013 | 18 | 1.0625-18 UNEF | 1.093 (27.8) | 1.027 (26.1) | 1.218 (30.9) | 1.332 (33.8) | 2.362 (60.0) | .350 (8.9) | .625 (15.9) |
| 052 | 18 | 1.0625-18 UNEF | 1.093 (27.8) | 1.059 (26.9) | 1.218 (30.9) | 1.551 (39.4) | 2.362 (60.0) | .500 (12.7) | .750 (19.1) |
| 014 | 18 | 1.0625-18 UNEF | 1.093 (27.8) | 1.156 (29.4) | 1.218 (30.9) | 1.770 (45.0) | 2.000 (50.8) | .625 (15.9) | .779 (19.8) |
| 072 | 18 | 1.0625-18 UNEF | 1.938 (49.2) | 1.156 (29.4) | 1.218 (30.9) | 1.770 (45.0) | 2.512 (63.8) | .625 (15.9) | .937 (23.8) |
| 043 | 20 | 1.1875-18 UNEF | 1.093 (27.8) | 1.027 (26.1) | 1.345 (34.2) | 1.145 (29.1) | 2.362 (60.0) | .250 (6.4) | .437 (11.1) |
| 015 | 20 | 1.1875-18 UNEF | 1.093 (27.8) | 1.027 (26.1) | 1.345 (34.2) | 1.332 (33.8) | 2.362 (60.0) | .350 (8.9) | .625 (15.9) |
| 054 | 20 | 1.1875-18 UNEF | 1.093 (27.8) | 1.059 (26.9) | 1.345 (34.2) | 1.551 (39.4) | 2.362 (60.0) | .500 (12.7) | .750 (19.1) |
| 016 | 20 | 1.1875-18 UNEF | 1.093 (27.8) | 1.156 (29.4) | 1.345 (34.2) | 1.770 (45.0) | 2.000 (50.8) | .625 (15.9) | .904 (23.0) |
| 055 | 20 | 1.1875-18 UNEF | 2.061 (52.3) | 1.375 (34.9) | 1.345 (34.2) | 2.113 (53.7) | 2.562 (65.1) | .875 (22.2) | 1.250 (31.8) |
| 044 | 22 | 1.3125-18 UNEF | 1.188 (30.2) | 1.027 (26.1) | 1.468 (37.3) | .957 (24.3) | 2.512 (63.8) | .125 (3.2) | .312 (7.9) |
| 045 | 22 | 1.3125-18 UNEF | 1.188 (30.2) | 1.027 (26.1) | 1.468 (37.3) | 1.145 (29.1) | 2.512 (63.8) | .250 (6.4) | .437 (11.1) |
| 056 | 22 | 1.3125-18 UNEF | 1.188 (30.2) | 1.027 (26.1) | 1.468 (37.3) | 1.332 (33.8) | 2.512 (63.8) | .350 (8.9) | .625 (15.9) |
| 017 | 22 | 1.3125-18 UNEF | 1.188 (30.2) | 1.059 (26.9) | 1.468 (37.3) | 1.551 (39.4) | 2.512 (63.8) | .500 (12.7) | .750 (19.1) |
| 057 | 22 | 1.3125-18 UNEF | 1.188 (30.2) | 1.156 (29.4) | 1.468 (37.3) | 1.770 (45.0) | 2.512 (63.8) | .625 (15.9) | .937 (23.8) |
| 018 | 22 | 1.3125-18 UNEF | 1.188 (30.2) | 1.375 (34.9) | 1.468 (37.3) | 2.113 (53.7) | 2.155 (54.7) | .875 (22.2) | 1.029 (26.1) |
| 058 | 22 | 1.3125-18 UNEF | 2.061 (52.3) | 1.375 (34.9) | 1.468 (37.3) | 2.113 (53.7) | 2.562 (65.1) | .875 (22.2) | 1.250 (31.8) |
| 046 | 24 | 1.4375-18 UNEF | 1.188 (30.2) | 1.027 (26.1) | 1.593 (40.5) | 1.332 (33.8) | 2.512 (63.8) | .350 (8.9) | .625 (15.9) |
| 019 | 24 | 1.4375-18 UNEF | 1.188 (30.2) | 1.059 (26.9) | 1.593 (40.5) | 1.551 (39.4) | 2.512 (63.8) | .500 (12.7) | .750 (19.1) |
| 059 | 24 | 1.4375-18 UNEF | 1.188 (30.2) | 1.156 (29.4) | 1.593 (40.5) | 1.770 (45.0) | 2.512 (63.8) | .625 (15.9) | .937 (23.8) |
| 020 | 24 | 1.4375-18 UNEF | 1.188 (30.2) | 1.375 (34.9) | 1.593 (40.5) | 2.113 (53.7) | 2.155 (54.7) | .875 (22.2) | 1.144 (29.1) |
| 073 | 24 | 1.4375-18 UNEF | 2.061 (52.3) | 1.375 (34.9) | 1.593 (40.5) | 2.113 (53.7) | 2.562 (65.1) | .875 (22.2) | 1.250 (31.8) |

Dimensions are in inches (mm).