

Jam Nut Receptacle (Bayonet)

EV Series • MIL-DTL-83723 Series III Type Connectors



EVB7 Cross Reference & Compatibility

Compatible Brands	Equivalent	Mates
MIL-DTL-83723 Series III	M83723/73, M83723/74	M83723/75, M83723/76, M83723/77, M83723/78
Aero / Conesys	AE83373, AE83374	AE83375, AE83376, AE83377, AE83378
Amphenol / Matrix	MB34	MB36, MB38
Deutsch TE	DL64	DL66

EVB7 N 12-12 S N - R2(015) - 02

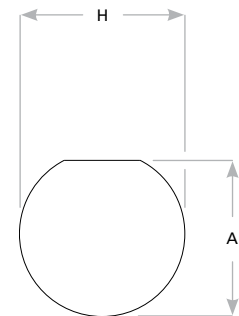
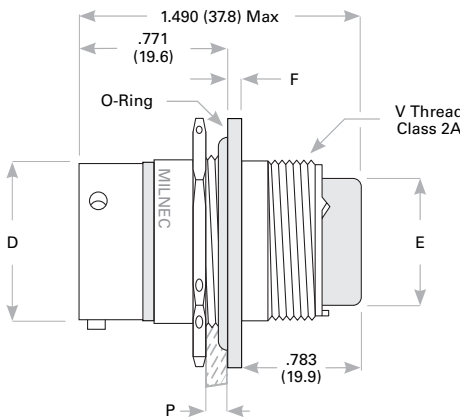
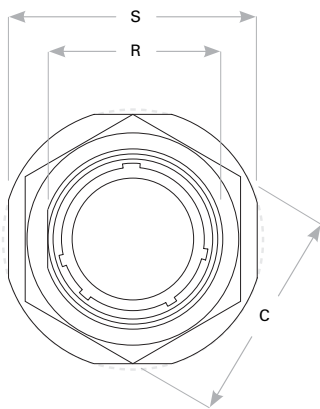
- 1 **BASIC PART NUMBER**
EVB7 Jam nut receptacle (bayonet)
- 2 **MATERIAL & FINISH**
N Aluminum, electroless nickel
W Aluminum, olive drab cadmium
- 3 **SHELL SIZE & INSERT ARRANGEMENT**
See Insert Arrangement Selection table, p. T-14
- 4 **CONTACT STYLE**
P Pin
S Socket
- 5 **KEYING POSITION OR INSERT ROTATION**
N Normal keying or 6, 7, 8, 9, Y
N Normal rotation or 1, 2, 3, 4, 5
- 6 **OPTIONAL BACKSHELL KIT (OMIT FOR NONE)**
B2 Straight strain relief (self-locking), p. T-24
R2() Straight EMI/RFI environmental, p. T-35
(Add dash number for appropriate shell size, see p. T-35)
- 7 **OPTIONAL ACCESSORY KIT (OMIT FOR NONE)**
02 Protective cover

Note: See part builder (p. T-12) for additional kit options.

Receptacle Dimensions

Shell Size	R	S	C	D	E	F	V Thread Class 2A	P Max Rear Panel†	H	A
8	.593 (15.1)	.979 (24.9)	.829 (21.1)	.536 (13.6)	.305 (7.7)	.097 (2.5)	.5000-20 UNF	.125 (3.2)	.635 (16.1)	.605 (15.4)
10	.718 (18.2)	1.104 (28.0)	.954 (24.2)	.659 (16.7)	.405 (10.3)	.097 (2.5)	.6250-24 UNEF	.125 (3.2)	.760 (19.3)	.730 (18.5)
12	.905 (23.0)	1.291 (32.8)	1.142 (29.0)	.829 (21.1)	.531 (13.5)	.097 (2.5)	.7500-20 UNEF	.125 (3.2)	.947 (24.1)	.917 (23.3)
14	.968 (24.6)	1.391 (35.3)	1.205 (30.6)	.898 (22.8)	.665 (16.9)	.097 (2.5)	.8750-20 UNEF	.125 (3.2)	1.010 (25.7)	.980 (24.9)
16	1.093 (27.8)	1.516 (38.5)	1.329 (33.8)	1.025 (26.0)	.790 (20.1)	.097 (2.5)	1.0000-20 UNEF	.125 (3.2)	1.135 (28.8)	1.105 (28.1)
18	1.217 (30.9)	1.641 (41.7)	1.455 (37.0)	1.131 (28.7)	.869 (22.1)	.097 (2.5)	1.0625-18 UNEF	.125 (3.2)	1.260 (32.0)	1.229 (31.2)
20	1.342 (34.1)	1.766 (44.9)	1.579 (40.1)	1.256 (31.9)	.994 (25.2)	.097 (2.5)	1.1875-18 UNEF	.125 (3.2)	1.385 (35.2)	1.354 (34.4)
22	1.467 (37.3)	1.954 (49.6)	1.705 (43.3)	1.381 (35.1)	1.119 (28.4)	.128 (3.3)	1.3125-18 UNEF	.125 (3.2)	1.510 (38.4)	1.479 (37.6)
24	1.592 (40.4)	2.079 (52.8)	1.829 (46.5)	1.506 (38.3)	1.244 (31.6)	.128 (3.3)	1.4375-18 UNEF	.125 (3.2)	1.635 (41.5)	1.604 (40.7)

Dimensions are in inches (mm). † Max panel thickness will ensure proper coupling clearance.



Panel Cutout

Rev. 1427