

# M83723/82 & M83723/83 Connector Type Datasheet

EV Series • MIL-DTL-83723 Series III Type Connectors



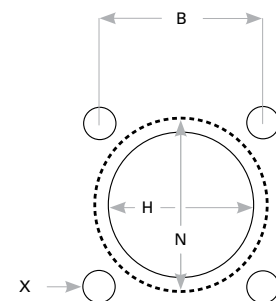
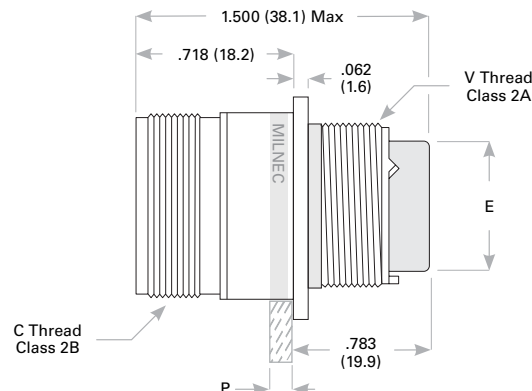
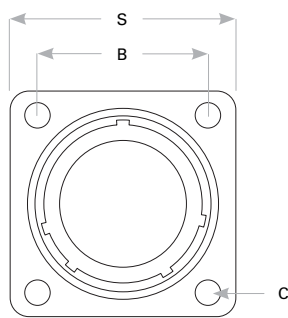
## EVT0 Cross-Reference & Compatibility

Compatible Brands	Equivalent	Mates
MIL-DTL-83723 Series III	M83723/82, M83723/83	M83723/86, M83723/87, M83723/91, M83723/92, M83723/95, M83723/96
Aero / Conesys	AE83382, 83	AE83386, 87, 91, 92, 95, 96, 97, 98
Amphenol / Matrix	MT30	MT36, MT37, MT38
Deutsch / TE	DBA30	DBA36

## Receptacle Dimensions

Shell Size	S	C	E	F	V Thread Class 2A	C Thread Class 2A	P Max Rear Panel†	X	B	H Front Mount	N Rear Mount
8	.812 (20.6)	.120 (3.1)	.305 (7.7)	.097 (2.5)	.5000-20 UNF	.5625-24 UNF	.234 (5.9)	.125 (3.2)	.594 (15.1)	.510 (13.0)	.620 (15.7)
10	.937 (23.8)	.120 (3.1)	.405 (10.3)	.097 (2.5)	.6250-24 UNEF	.6875-24 UNEF	.234 (5.9)	.125 (3.2)	.719 (18.3)	.635 (16.1)	.748 (19.0)
12	1.031 (26.2)	.120 (3.1)	.531 (13.5)	.097 (2.5)	.7500-20 UNEF	.8750-20 UNEF	.234 (5.9)	.125 (3.2)	.812 (20.6)	.760 (19.3)	.913 (23.2)
14	1.125 (28.6)	.120 (3.1)	.665 (16.9)	.097 (2.5)	.8750-20 UNEF	.9375-20 UNEF	.234 (5.9)	.125 (3.2)	.906 (23.0)	.885 (22.5)	.980 (24.9)
16	1.250 (31.8)	.120 (3.1)	.790 (20.1)	.097 (2.5)	1.0000-20 UNEF	1.0625-18 UNEF	.234 (5.9)	.125 (3.2)	.969 (24.6)	1.010 (25.7)	1.107 (28.1)
18	1.343 (34.1)	.120 (3.1)	.869 (22.1)	.097 (2.5)	1.0625-18 UNEF	1.1875-18 UNEF	.234 (5.9)	.125 (3.2)	1.062 (27.0)	1.072 (27.2)	1.209 (30.7)
20	1.437 (36.5)	.120 (3.1)	.994 (25.2)	.097 (2.5)	1.1875-18 UNEF	1.3125-18 UNEF	.234 (5.9)	.125 (3.2)	1.156 (29.4)	1.197 (30.4)	1.337 (34.0)
22	1.562 (39.7)	.120 (3.1)	1.119 (28.4)	.128 (3.3)	1.3125-18 UNEF	1.4375-18 UNEF	.234 (5.9)	.125 (3.2)	1.250 (31.8)	1.322 (33.6)	1.452 (36.9)
24	1.703 (43.3)	.149 (3.8)	1.244 (31.6)	.128 (3.3)	1.4375-18 UNEF	1.5625-18 UNEF	.234 (5.9)	.154 (3.9)	1.375 (34.9)	1.442 (36.6)	1.577 (40.1)

Dimensions are in inches (mm). † Max panel thickness applies only to rear mount applications to ensure proper coupling clearance.



Panel Cutout

## EVT0 N 12-12 S N - R2(015) - 02

- 1 **BASIC PART NUMBER**  
EVT0 Wall mount receptacle (threaded)
- 2 **MATERIAL & FINISH**  
N Aluminum, electroless nickel  
W Aluminum, olive drab cadmium
- 3 **SHELL SIZE & INSERT ARRANGEMENT**  
See Insert Arrangement Selection table, p. T-14
- 4 **CONTACT STYLE**  
P Pin  
S Socket
- 5 **KEYING POSITION OR INSERT ROTATION**  
N Normal keying or 6, 7, 8, 9, Y  
N Normal rotation or 1, 2, 3, 4, 5
- 6 **OPTIONAL BACKSHELL KIT (OMIT FOR NONE)**  
B2 Straight strain relief (self-locking), p. T-24  
R2( ) Straight EMI/RFI environmental, p. T-35  
(Add dash number for appropriate shell size, see p. T-35)
- 7 **OPTIONAL ACCESSORY KIT (OMIT FOR NONE)**  
02 Protective cover + mounting gasket  
03 02 kit + mounting bracket + sealing screws

Note: See part builder (p. T-12) for additional kit options.