

# Plug (Threaded)

EV Series • MIL-DTL-83723 Series III Type Connectors



## EVT6 N 12-12 P N - R2(015) - 01

- 1 **BASIC PART NUMBER**  
**EVT6** Plug (threaded)  
**EVT5** Plug with RFI grounding fingers (threaded)
- 2 **MATERIAL & FINISH**  
**N** Aluminum, electroless nickel  
**W** Aluminum, olive drab cadmium
- 3 **SHELL SIZE & INSERT ARRANGEMENT**  
 See Insert Arrangement Selection table, p. T-14
- 4 **CONTACT STYLE**  
**P** Pin  
**S** Socket
- 5 **KEYING POSITION OR INSERT ROTATION**  
**N** Normal keying or 6, 7, 8, 9, Y  
**N** Normal rotation or 1, 2, 3, 4, 5
- 6 **OPTIONAL BACKSHELL KIT (OMIT FOR NONE)**  
**B2** Straight strain relief (self-locking), p. T-24  
**R2( )** Straight EMI/RFI environmental, p. T-35  
 (Add dash number for appropriate shell size, see p. T-35)
- 7 **OPTIONAL ACCESSORY KIT (OMIT FOR NONE)**  
**01** Protective Cover

### EVT6 Cross-Reference & Compatibility

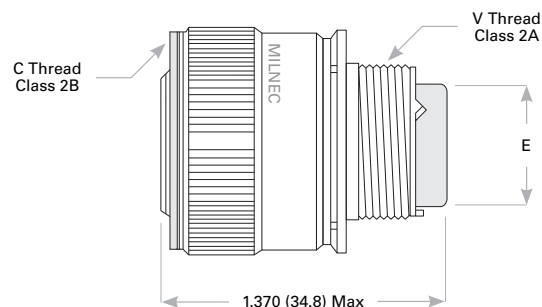
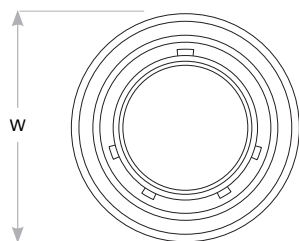
Compatible Brands	Equivalent	Mates
MIL-DTL-83723 Series III	M83723/86, M83723/87, M83723/91, M83723/92	M83723/82, M83723/83, M83723/84, M83723/85
Aero / Conesys	AE83386, AE83387, AE83391, AE83392	AE83382, AE83383, AE83384, AE83385
Amphenol / Matrix	MT36, MT38	MT30, MT34
Deutsch / TE	DBA36	DBA30, DBA34

**Note:** See part builder (p. T-12) for additional kit options.

### Plug Dimensions

Shell Size	W	E	V Thread Class 2A	C Thread Class 2B
8	.756 (19.2)	.305 (7.7)	.5000-20 UNF	.5625-24 UNEF
10	.906 (23.0)	.405 (10.3)	.6250-24 UNEF	.6875-24 UNEF
12	1.078 (27.4)	.531 (13.5)	.7500-20 UNEF	.8750-20 UNEF
14	1.141 (29.0)	.665 (16.9)	.8750-20 UNEF	.9375-20 UNEF
16	1.266 (32.2)	.790 (20.1)	1.0000-20 UNEF	1.0625-18 UNEF
18	1.375 (34.9)	.869 (22.1)	1.0625-18 UNEF	1.1875-18 UNEF
20	1.510 (38.4)	.994 (25.2)	1.1875-18 UNEF	1.3125-18 UNEF
22	1.625 (41.3)	1.119 (28.4)	1.3125-18 UNEF	1.4375-18 UNEF
24	1.760 (44.7)	1.244 (31.6)	1.4375-18 UNEF	1.5625-18 UNEF

Dimensions are in inches (mm).



Rev. 1718