

Self-Locking Plug (Threaded)

EV Series • MIL-DTL-83723 Series III Type Connectors

EVT9 N 12-12 P N - R2(015) - 03

- 1 **BASIC PART NUMBER**
EVT9 Self-locking plug (threaded)
- 2 **MATERIAL & FINISH**
N Aluminum, electroless nickel
W Aluminum, olive drab cadmium
- 3 **SHELL SIZE & INSERT ARRANGEMENT**
See Insert Arrangement Selection table, p. T-14
- 4 **CONTACT STYLE**
P Pin
S Socket
- 5 **KEYING POSITION OR INSERT ROTATION**
N Normal keying or 6, 7, 8, 9, Y
N Normal rotation or 1, 2, 3, 4, 5
- 6 **OPTIONAL BACKSHELL KIT (OMIT FOR NONE)**
B2 Straight strain relief (self-locking), p. T-24
R2() Straight EMI/RFI environmental, p. T-35
(Add dash number for appropriate shell size, see p. T-35)
- 7 **OPTIONAL ACCESSORY KIT (OMIT FOR NONE)**
02 Protective cover + mounting gasket
03 02 kit + mounting bracket + sealing screws



EVT9 Cross-Reference & Compatibility

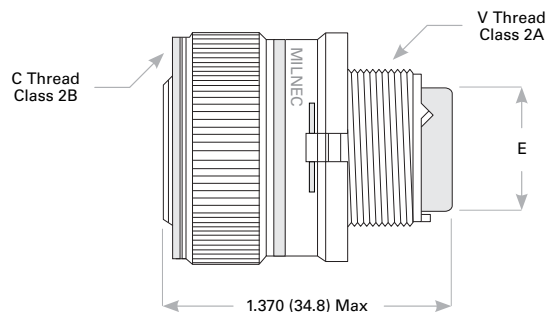
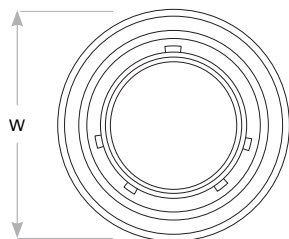
Compatible Brands	Equivalent	Mates
MIL-DTL-83723 Series III	M83723/95, M83723/96	M83723/82, M83723/83 M83723/84, M83723/85
Aero / Conesys	AE83395, AE83396, AE83397, AE83398	AE83382, AE83383, AE83384, AE83385
Amphenol / Matrix	MT37	MT30, MT34
Deutsch / TE	NA	DBA30, DBA34

Note: See part builder (p. T-12) for additional kit options.

Plug Dimensions

Shell Size	W	E	V Thread Class 2A	C Thread Class 2B
8	.832 (21.1)	.305 (7.7)	.5000-20 UNF	.5625-24 UNEF
10	.959 (24.4)	.405 (10.3)	.6250-24 UNEF	.6875-24 UNEF
12	1.097 (27.9)	.531 (13.5)	.7500-20 UNEF	.8750-20 UNEF
14	1.236 (31.4)	.665 (16.9)	.8750-20 UNEF	.9375-20 UNEF
16	1.360 (34.5)	.790 (20.1)	1.0000-20 UNEF	1.0625-18 UNEF
18	1.428 (36.3)	.869 (22.1)	1.0625-18 UNEF	1.1875-18 UNEF
20	1.586 (40.3)	.994 (25.2)	1.1875-18 UNEF	1.3125-18 UNEF
22	1.703 (43.3)	1.119 (28.4)	1.3125-18 UNEF	1.4375-18 UNEF
24	1.846 (46.9)	1.244 (31.6)	1.4375-18 UNEF	1.5625-18 UNEF

Dimensions are in inches (mm).



Rev. 1718