

M83723/88 Connector Type Datasheet

EV Series • MIL-DTL-83723 Series III Type Connectors



Photo for example only

EVT2 Compatibility

Compatible Brands	Mates
MIL-DTL-83723 Series III	M83723/86, M83723/87, M83723/91, M83723/92, M83723/95, M83723/96
Aero / Conesys	AE83386, 87, 91, 92, 95, 96, 97, 98
Amphenol / Matrix	MT36, MT37, MT38
Deutsch / TE	DBA36

EVT2 H 12-12 H N - 02

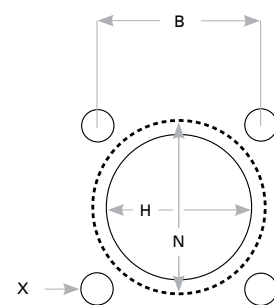
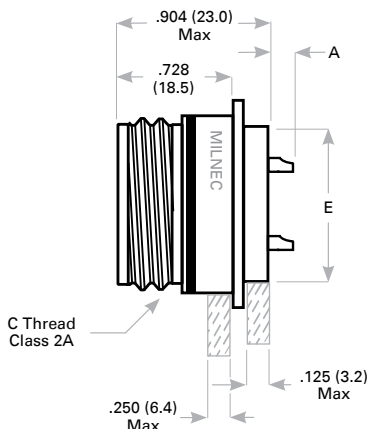
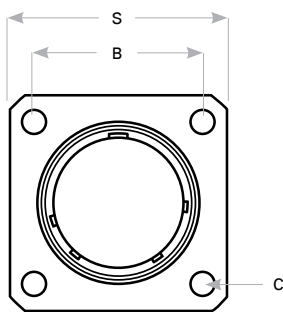
- 1 **BASIC PART NUMBER**
EVT2 Box mount receptacle (threaded)
- 2 **MATERIAL & FINISH**
H Carbon steel, tin plated, hermetic
HA Stainless steel, hermetic
HB Stainless steel, electrodeposited nickel, hermetic
- 3 **SHELL SIZE & INSERT ARRANGEMENT**
See Insert Arrangement Selection table, p. T-14
- 4 **CONTACT STYLE**
P Pin, solder cup termination
H* Socket, solder cup termination
- 5 **KEYING POSITION**
N Normal keying or 6, 7, 8, 9, Y
- 6 **OPTIONAL ACCESSORY KIT (OMIT FOR NONE)**
02 Protective cover + mounting gasket
03 02 kit + mounting bracket + sealing screws

* Please consult an authorized distributor for lead time and minimum quantity requirements.

Receptacle Dimensions

Shell Size	S	C	E	C Thread Class 2A	A Max		X	B	H Front Mount	N Rear Mount
					#20 Contacts	#12 & #16 Contacts				
8	.812 (20.6)	.120 (3.1)	.500 (12.7)	.5625-24 UNF	.194 (4.9)	.224 (5.7)	.125 (3.2)	.594 (15.1)	.510 (13.0)	.572 (15.8)
10	.937 (23.8)	.120 (3.1)	.625 (15.9)	.6875-24 UNEF	.194 (4.9)	.224 (5.7)	.125 (3.2)	.719 (18.3)	.635 (16.1)	.706 (19.0)
12	1.031 (26.2)	.120 (3.1)	.750 (19.1)	.8750-20 UNEF	.194 (4.9)	.224 (5.7)	.125 (3.2)	.812 (20.6)	.760 (19.3)	.885 (23.2)
14	1.125 (28.6)	.120 (3.1)	.875 (22.2)	.9375-20 UNEF	.194 (4.9)	.224 (5.7)	.125 (3.2)	.906 (23.0)	.885 (22.5)	.946 (24.9)
16	1.250 (31.8)	.120 (3.1)	1.000 (25.4)	1.0625-18 UNEF	.194 (4.9)	.224 (5.7)	.125 (3.2)	.969 (24.6)	1.010 (25.7)	1.072 (28.2)
18	1.343 (34.1)	.120 (3.1)	1.062 (27.0)	1.1875-18 UNEF	.194 (4.9)	.224 (5.7)	.125 (3.2)	1.062 (27.0)	1.072 (27.2)	1.197 (30.7)
22	1.562 (39.7)	.120 (3.1)	1.312 (33.3)	1.3125-18 UNEF	.194 (4.9)	.224 (5.7)	.125 (3.2)	1.250 (31.8)	1.322 (33.6)	1.447 (36.8)

Dimensions are in inches (mm). Consult distributor for shell sizes 20, 24, & 28.



Panel Cutout

Rev. 1826