

M85049/1 Strain Relief Backshell

R_Y85049 Series • M85049 Type Backshells



Photo for example only

R_Y85049/1 - 16B

- 1 **BASIC PART NUMBER**
R_Y85049/1
 M85049/1 type
 Strain relief backshell
 (Supersedes MS3057 "B")
- 2 **DASH NO.**
 See dimensions table below

R_Y85049/1 Compatibility

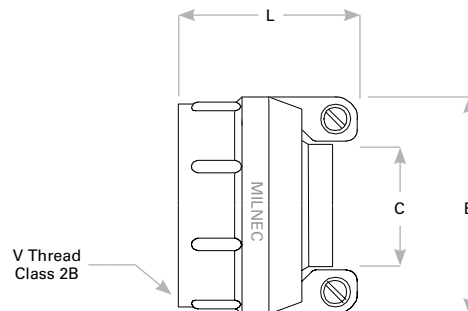
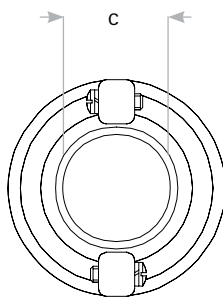
Compatible Connector Series

MS "V" Thread

R_Y85049/1 Dimensions

Dash No.	Connector Shell Size	V Thread Class 2B	L Max	B Max	C Min
03B	8S, 10S	1/2 - 28 UNEF	1.031 (26.2)	0.812 (20.6)	0.231 (5.9)
04B	10SL, 12S, 12	5/8 - 24 UNEF	1.031 (26.2)	0.937 (23.8)	0.315 (8.0)
06B	14S, 14	3/4 - 20 UNEF	1.031 (26.2)	1.062 (27.0)	0.440 (11.2)
08B	16S, 16	7/8 - 20 UNEF	1.031 (26.2)	1.188 (30.2)	0.515 (13.1)
10B	18	1 - 20 UNEF	1.094 (27.8)	1.312 (33.3)	0.614 (15.6)
12B	20, 22	1 3/16 - 18 UNEF	1.219 (31.0)	1.562 (39.7)	0.738 (18.7)
16B	24, 28	1 7/16 - 18 UNEF	1.219 (31.0)	1.750 (44.5)	0.926 (23.5)
20B	32	1 3/4 - 18 UNS	1.344 (34.1)	2.250 (57.2)	1.200 (30.5)
24B	36	2 - 18 UNS	1.547 (39.3)	2.375 (60.3)	1.363 (34.6)
28B	40	2 1/4 - 16 UN	1.547 (39.3)	2.625 (66.7)	1.611 (40.9)
32B	44	2 1/2 - 16 UN	1.734 (44.0)	2.812 (71.4)	1.865 (47.4)
40B	48	3 - 16 UN	1.781 (45.2)	3.312 (84.1)	2.365 (60.1)

Dimensions are in inches (mm).



Rev. 1825