

M85049/109 Type EMI/RFI Metal Shield Sock

Ry85049 Series • M85049 Type Backshells

RY85049/109 N 12 K N 03 - 7 D



1 BASIC PART NUMBER
RY85049/109
M85049/74 type
EMI/RFI Metal Shield Sock
(supersedes 88064)

2 CONFIGURATION
N Non-detented, self-locking
S Detented, self-locking
(Use dash for non-self-locking)

3 DASH NO.
See Dimensions table below

4 SHIELD FINISH
K Nickel plate
T Tin plate

5 MATERIAL & FINISH
N Aluminum, electroless nickel
W Aluminum, olive drab cadmium over electroless nickel
X Aluminum, nickel fluorocarbon polymer
Z Aluminum, black zinc-nickel

6 ENTRY SIZE
See Entry Size table below

7 BRAID LENGTH
1 inch increments (6" min, 18" max)

8 DRAIN HOLE (OMIT FOR NONE)
D Drain hole

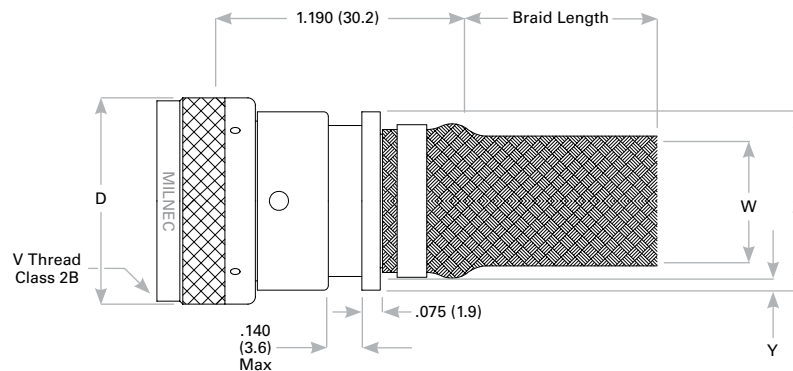


Photo for example only

RY85049/109 Compatibility

Compatible Connector Series

AS50151 Series AS34001 MIL-DTL-26482 Series II AS81703 Series III
MIL-DTL-83723 Series I & III 40M39569, DEF 5326-3 EN 2997, EN 3646
ESC 10, ESC 11, LN 29504 NFC93422 Series HE302
PAN 6432-1, PAN 6432-2 PATT 602



(Continued on next page)

M85049/109 Type EMI/RFI Metal Shield Sock

RY85049 Series • M85049 Type Backshells

RY85049/109 Dimensions (Continued from previous page)

Dash No.	Cable Entry Size	Shell Size AS81703 Series III	Shell Size MIL-DTL-26482, Series II MIL-DTL-83723, Series III	Shell Size MIL-DTL-5015 Series I & II	V Thread Class 2B	D Max
03	1	3	-	-	9/16-24 UNEF	0.855 (22.5)
08	1	-	8	8S	1/2-20 UNF	0.885 (22.5)
10	01-03	-	10	10S 10SL	5/8-24 UNEF	1.010 (25.7)
12	01-05	7	12	12S 12	3/4-20 UNEF	1.135 (28.83)
14	02-06	12	14	14S 14	7/8-20 UNEF	1.260 (32.0)
16	04-08	19	16	16S 16	1-20 UNEF	1.385 (35.2)
18	05-09	27	18	18	1 1/16-18 UNEF	1.510 (38.4)
20	07-11	37	20	20	1 3/16-18 UNEF	1.635 (41.5)
22	09-13	-	22	22	1 5/16-18 UNEF	1.760 (44.7)
24	11-14	-	24	24	1 7/16-18 UNEF	1.885 (47.9)
28	14-16	-	-	28	1 3/4-18 UNS	2.135 (54.2)
32	16-17	-	-	32	2-18 UNS	2.395 (60.8)
36	17-19	-	-	36	2 1/4-16 UN	2.635 (66.9)
40	19-21	-	-	40	2 1/2-16 UN	2.885 (73.3)
44	21-23	-	-	44	2 3/4-16 UN	3.135 (76.6)
48	23-25	-	-	48	3-16 UN	3.385 (86.0)
61	12-14	61	-	-	1 1/2-18 UNEF	1.885 (47.9)

Dimensions are in inches (mm).

RY85049/109 Entry Size

Entry Size	W ±.020 (0.5)	Y +.008 (0.2)	Z Max
01	0.250 (6.4)	0.044 (1.1)	0.560 (14.2)
02	0.312 (7.9)	0.044 (1.1)	0.630 (16.0)
03	0.375 (9.5)	0.044 (1.1)	0.690 (17.5)
04	0.438 (11.1)	0.044 (1.1)	0.750 (19.1)
05	0.500 (12.7)	0.044 (1.1)	0.820 (20.8)
06	0.562 (14.3)	0.044 (1.1)	0.890 (22.6)
07	0.625 (15.9)	0.044 (1.1)	0.950 (24.1)
08	0.688 (17.5)	0.044 (1.1)	1.020 (25.9)
09	0.750 (19.1)	0.069 (1.8)	1.120 (28.4)
10	0.812 (20.6)	0.069 (1.8)	1.200 (30.5)
11	0.875 (22.2)	0.069 (1.8)	1.270 (32.3)
12	0.938 (23.8)	0.069 (1.8)	1.260 (32.0)
13	1.000 (25.4)	0.069 (1.8)	1.370 (34.8)
14	1.125 (28.6)	0.069 (1.8)	1.470 (37.3)
15	1.250 (31.8)	0.069 (1.8)	1.600 (40.6)
16	1.375 (34.9)	0.069 (1.8)	1.710 (43.4)
17	1.500 (38.1)	0.086 (2.2)	1.840 (46.7)
18	1.625 (41.3)	0.086 (2.2)	2.000 (50.8)
19	1.750 (44.5)	0.086 (2.2)	2.120 (53.8)
20	1.875 (47.6)	0.086 (2.2)	2.270 (57.7)
21	2.000 (50.8)	0.086 (2.2)	2.440 (62.0)
22	2.125 (54.0)	0.086 (2.2)	2.600 (66.0)
23	2.250 (57.2)	0.086 (2.2)	2.750 (69.9)
24	2.375 (60.3)	0.086 (2.2)	2.900 (73.7)
25	2.500 (63.5)	0.086 (2.2)	3.060 (77.7)

Dimensions are in inches (mm).