

# M85049/112 Type EMI/RFI Metal Shield Sock

Ry85049 Series • M85049 Type Backshells



Photo for example only

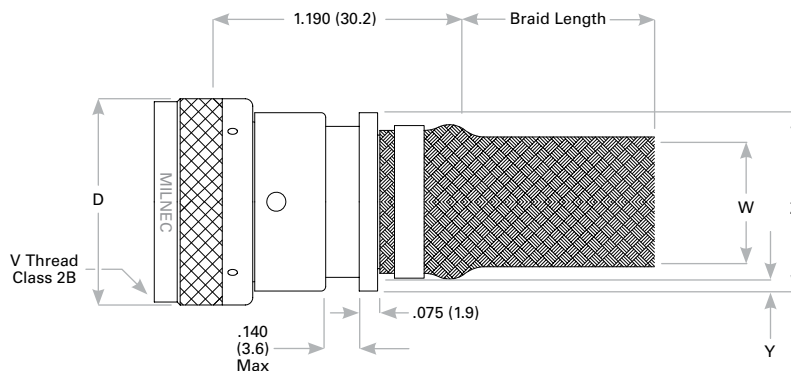
## Ry85049/112 Compatibility

Compatible Connector Series

MIL-DTL-38999 Series I & II

## Ry85049/112 N 12 K N 03 - 7 D

- 1 **BASIC PART NUMBER**  
**Ry85049/112**  
 M85049/112 type  
 EMI/RFI shield sock shrink boot adapter  
 (Supersedes 89014)
- 2 **CONFIGURATION**  
**N** Non-detented, self-locking  
**S** Detented, self-locking  
 (Use dash for non-self-locking)
- 3 **DASH NO.**  
 See Dimensions table below
- 4 **SHIELD FINISH**  
**K** Nickel plate  
**T** Tin plate
- 5 **MATERIAL & FINISH**  
**N** Aluminum, electroless nickel  
**W** Aluminum, olive drab cadmium over electroless nickel  
**X** Aluminum, nickel fluorocarbon polymer  
**Z** Aluminum, black zinc-nickel
- 6 **ENTRY SIZE**  
 See Entry Size table below
- 7 **BRAID LENGTH**  
 1 inch increments (6" min, 18" max)
- 8 **DRAIN HOLE (OMIT FOR NONE)**  
**D** Drain hole



(Continued on next page)

Rev. 1825

# M85049/112 Type EMI/RFI Metal Shield Sock

Ry85049 Series • M85049 Type Backshells

## Ry85049/112 Dimensions (Continued from previous page)

Dash No.	Shell Size Series I	Shell Size Series II	V Thread Class 2B	D Max	Cable Entry Size
08	9	8	7/16-28 UNEF	0.858 (21.8)	1
10	11	10	9/16-24 UNEF	0.984 (25.0)	01-03
12	13	12	11/16-24 UNEF	1.157 (29.4)	01-05
14	15	14	13/16-20 UNEF	1.279 (32.5)	03-07
16	17	16	15/16-20 UNEF	1.406 (35.7)	05-09
18	19	18	1 1/16-18 UNEF	1.516 (38.5)	06-10
20	21	20	1 3/16-18 UNEF	1.642 (41.7)	08-12
22	23	22	1 5/16-18 UNEF	1.768 (44.9)	09-13
24	25	24	1 7/16-18 UNEF	1.889 (48.0)	10-14

Dimensions are in inches (mm).

## Ry85049/112 Entry Size

Entry Size	W ±.020 (0.5)	Y +.008 (0.2)	Z Max
01	0.250 (6.4)	0.044 (1.1)	0.560 (14.2)
02	0.312 (7.9)	0.044 (1.1)	0.630 (16.0)
03	0.375 (9.5)	0.044 (1.1)	0.690 (17.5)
04	0.438 (11.1)	0.044 (1.1)	0.750 (19.1)
05	0.500 (12.7)	0.044 (1.1)	0.820 (20.8)
06	0.562 (14.3)	0.044 (1.1)	0.890 (22.6)
07	0.625 (15.9)	0.044 (1.1)	0.950 (24.1)
08	0.688 (17.5)	0.044 (1.1)	1.020 (25.9)
09	0.750 (19.1)	0.069 (1.8)	1.120 (28.4)
10	0.812 (20.6)	0.069 (1.8)	1.200 (30.5)
11	0.875 (22.2)	0.069 (1.8)	1.270 (32.3)
12	0.938 (23.8)	0.069 (1.8)	1.260 (32.0)
13	1.000 (25.4)	0.069 (1.8)	1.370 (34.8)
14	1.125 (28.6)	0.069 (1.8)	1.470 (37.3)

Dimensions are in inches (mm).