

M85049/115 Type EMI/RFI Metal Shield Sock

Ry85049 Series • M85049 Type Backshells



Photo for example only

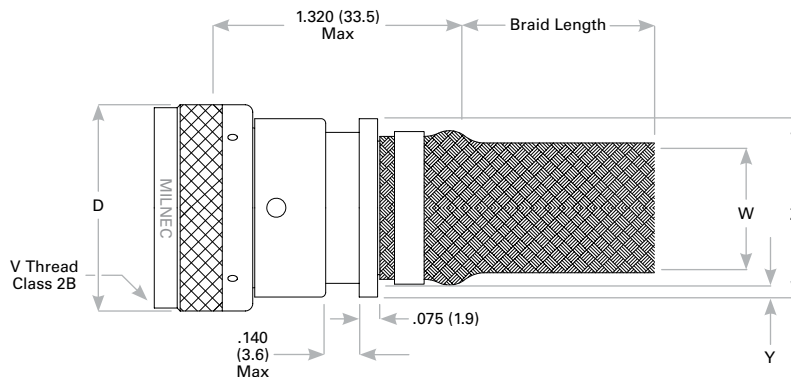
Ry85049/115 Compatibility

Compatible Connector Series

MIL-DTL-38999 Series III & IV EN3645

Ry85049/115 N 15 K N 03 - 7 D

- 1 **BASIC PART NUMBER**
Ry85049/115
 M85049/115 type
 EMI/RFI shield sock shrink boot adapter
 (Supersedes 89013)
- 2 **CONFIGURATION**
N Non-detented, self-locking
S Detented, self-locking
 (Use dash for non-self-locking)
- 3 **SHELL SIZE**
 See Dimensions table below
- 4 **SHIELD FINISH**
K Nickel plate
T Tin plate
- 5 **MATERIAL & FINISH**
N Aluminum, electroless nickel
W Aluminum, olive drab cadmium over electroless nickel
X Aluminum, nickel fluorocarbon polymer
Z Aluminum, black zinc-nickel
- 6 **ENTRY SIZE**
 See Entry Size table below
- 7 **BRAID LENGTH**
 1 inch increments (6" min, 18" max)
- 8 **DRAIN HOLE (OMIT FOR NONE)**
D Drain hole



(Continued on next page)

Rev. 1825

M85049/115 Type EMI/RFI Metal Shield Sock

Ry85049 Series • M85049 Type Backshells

Ry85049/115 Dimensions (Continued from previous page)

Shell Size	V Thread Class 2B	D Max	Cable Entry Size
9	M12 X 1 - 6H	0.858 (21.8)	1
11	M15 X 1 - 6H	0.984 (25.0)	01-03
13	M18 X 1 - 6H	1.157 (29.4)	01-05
15	M22 X 1 - 6H	1.279 (32.5)	03-07
17	M25 X 1 - 6H	1.406 (35.7)	05-09
19	M28 X 1 - 6H	1.516 (38.5)	06-10
21	M31 X 1 - 6H	1.642 (41.7)	08-12
23	M34 X 1 - 6H	1.768 (44.9)	09-13
25	M37 X 1 - 6H	1.889 (48.0)	10-14

Dimensions are in inches (mm).

Ry85049/115 Entry Size

Entry Size	W ±.020 (0.5)	Y +.008 (0.2)	Z Max
01	0.250 (6.4)	0.044 (1.1)	0.560 (14.2)
02	0.312 (7.9)	0.044 (1.1)	0.630 (16.0)
03	0.375 (9.5)	0.044 (1.1)	0.690 (17.5)
04	0.438 (11.1)	0.044 (1.1)	0.750 (19.1)
05	0.500 (12.7)	0.044 (1.1)	0.820 (20.8)
06	0.562 (14.3)	0.044 (1.1)	0.890 (22.6)
07	0.625 (15.9)	0.044 (1.1)	0.950 (24.1)
08	0.688 (17.5)	0.044 (1.1)	1.020 (25.9)
09	0.750 (19.1)	0.069 (1.8)	1.120 (28.4)
10	0.812 (20.6)	0.069 (1.8)	1.200 (30.5)
11	0.875 (22.2)	0.069 (1.8)	1.270 (32.3)
12	0.938 (23.8)	0.069 (1.8)	1.260 (32.0)
13	1.000 (25.4)	0.069 (1.8)	1.370 (34.8)
14	1.125 (28.6)	0.069 (1.8)	1.470 (37.3)

Dimensions are in inches (mm).