

M85049/15 45° Qwik-Ty Strain Relief Backshell

RY85049 Series • M85049 Type Backshells



Photo for example only

RY85049/15 Compatibility

Compatible Connector Series

MIL-DTL-38999, Series III & IV EN3645

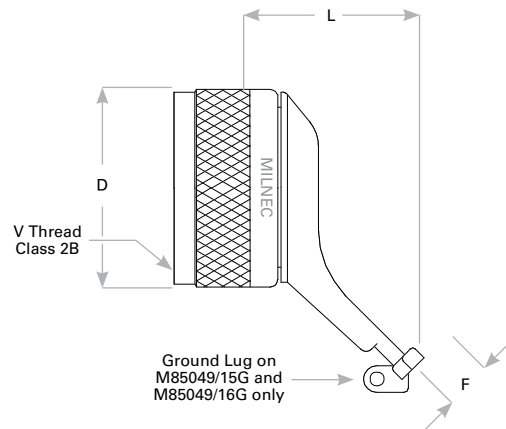
MC85049/15 S 15 N

- 1 **BASIC PART NUMBER**
RY85049/15
 M85049/15 type
 45° Qwik-Ty strain relief backshell
 (Supersedes MIL-C-85049/15)
- 2 **CONFIGURATION**
N Non-detented
G Self-locking with ground lug
H Non-detented with ground lug
S Self-locking without ground lug
 (Use dash for non-self-locking)
- 3 **SHELL SIZE**
 See dimensions table below
- 4 **MATERIAL & FINISH**
N Aluminum, electroless nickel
W Aluminum, olive drab cadmium
A Aluminum, black anodize
X Aluminum, nickel fluorocarbon polymer
Y Aluminum, pure dense electrodeposited aluminum
Z Aluminum, zinc-nickel

RY85049/15 Dimensions

Shell Size	D Max	V Thread Class 2B	F Max Cable Entry	M85049/15S G Max	M85049/15G G Max	M85049/16 H Max
9	0.860 (21.8)	M12 X 1 - 6H	0.264 (6.7)	1.030 (26.2)	1.210 (30.7)	1.220 (31.0)
11	0.984 (25.0)	M15 X 1 - 6H	0.392 (10.0)	1.030 (26.2)	1.210 (30.7)	1.290 (32.8)
13	1.160 (29.5)	M18 X 1 - 6H	0.506 (12.9)	1.030 (26.2)	1.390 (35.3)	1.620 (41.1)
15	1.280 (32.5)	M22 X 1 - 6H	0.631 (16.0)	1.090 (27.7)	1.390 (35.3)	1.660 (42.2)
17	1.410 (35.8)	M25 X 1 - 6H	0.756 (19.2)	1.110 (28.2)	1.390 (35.3)	1.720 (43.7)
19	1.520 (38.6)	M28 X 1 - 6H	0.845 (21.5)	1.210 (30.7)	1.390 (35.3)	1.720 (43.7)
21	1.640 (41.7)	M31 X 1 - 6H	0.970 (24.6)	1.260 (32.0)	1.390 (35.3)	1.790 (45.5)
23	1.770 (45.0)	M34 X 1 - 6H	1.095 (27.8)	1.300 (33.0)	1.390 (35.3)	1.850 (47.0)
25	1.890 (48.0)	M37 X 1 - 6H	1.220 (31.0)	1.340 (34.0)	1.390 (35.3)	1.910 (48.5)

Dimensions are in inches (mm).



Rev. 1825