

# M85049/28 Type Rectangular Backshell

RY85049 Series • M85049 Type Backshells

## RY85049/28 - 2

① ————— ②

- 1 BASIC PART NUMBER**  
**RY85049/28**  
 M85049/28 type  
 Non-environmental rectangular backshell  
 (Supersedes M83733/15)
- 2 DASH NO.**  
 See Dimensions table below

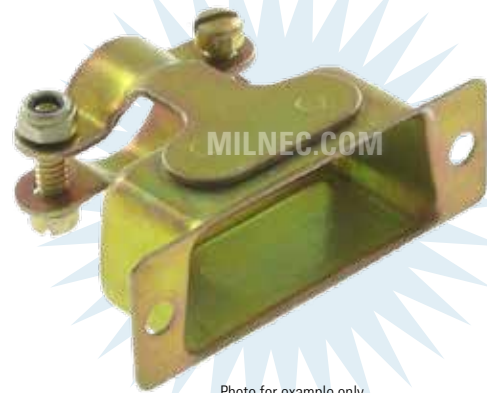


Photo for example only

## RY85049/28 Compatibility

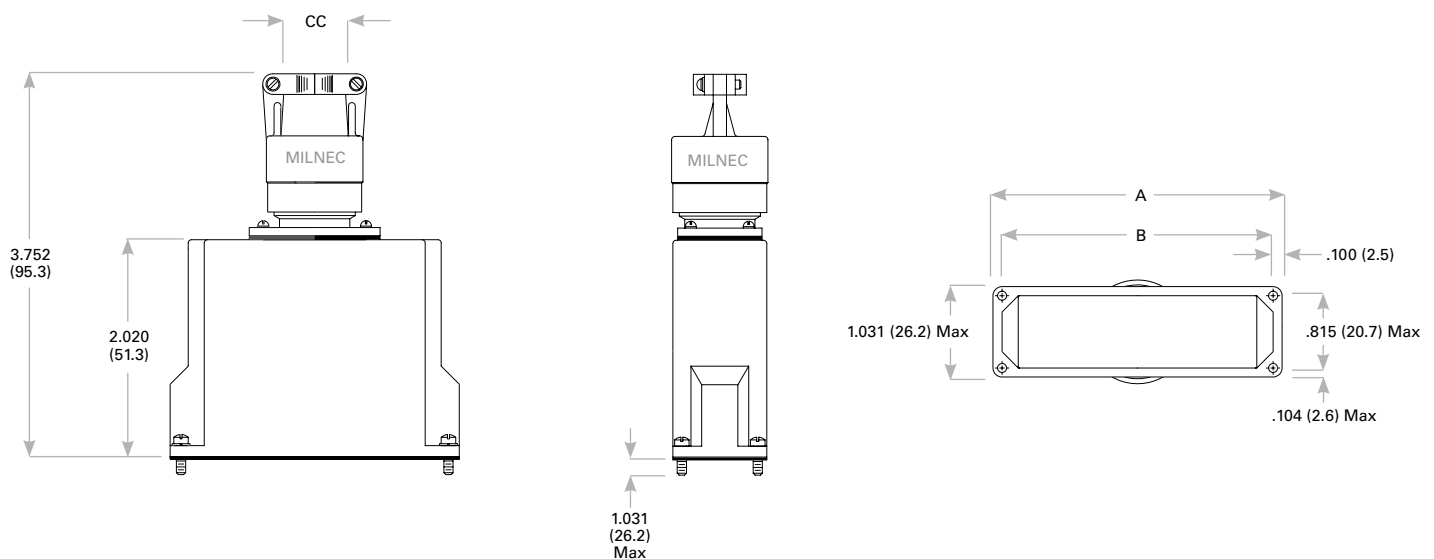
Compatible Connector Series

Supersedes M83733/15

## RY85049/28 Dimensions

Dash No.	Shell Size	A Max	B Max	CC Cable Clearance	
				Min	Max
1	A	2.126 (54.0)	1.900 (48.3)	0.500 (12.7)	0.625 (15.9)
2	A	2.126 (54.0)	1.900 (48.3)	0.625 (15.9)	0.750 (19.1)
3	B	3.426 (87.0)	3.200 (81.3)	0.500 (12.7)	0.625 (15.9)
4	B	3.426 (87.0)	3.200 (81.3)	0.625 (15.9)	0.750 (19.1)

Dimensions are in inches (mm).



Rev. 1825