

M85049/37 Type 90° EMI/RFI Backshell

R Y85049 Series • M85049 Type Backshells



Photo for example only

R Y85049/37 Compatibility

Compatible Connector Series

MIL-DTL-38999 Series I & II

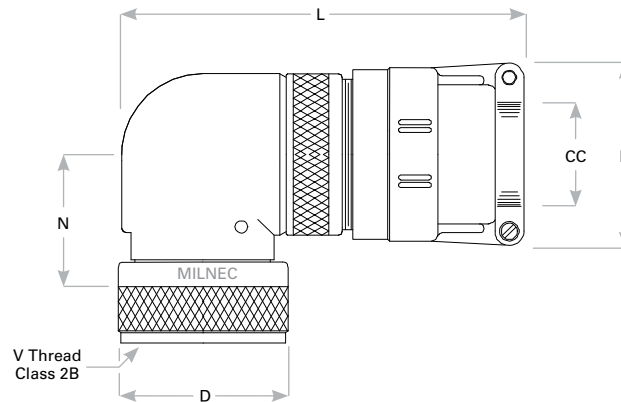
R Y85049/37 14 N 05 D

- 1 **BASIC PART NUMBER**
R Y85049/37
 M85049/37 type
 90° EMI/RFI Non-environmental backshell
 (Supersedes MIL-DTL-38999/8)
- 2 **SHELL SIZE**
 See Dimensions table below
- 3 **MATERIAL & FINISH**
N Aluminum, electroless nickel
W Aluminum, olive drab cadmium
X Aluminum, nickel fluorocarbon polymer
Z Aluminum, zinc-nickel
- 4 **CLAMP SIZE**
 See Clamp Size table below
- 5 **HOLE TYPE**
D 3 drain holes
L Encapsulating hole

R Y85049/37 Dimensions

Shell Size	Series I Ref	V Thread Class 2B	D	N	L	Clamp Size	
						Min	Max
08	9	0.438 - 28 UNEF	0.650 (16.5)	0.720 (18.3)	2.500 (63.5)	1	2
10	11	0.562 - 24 UNEF	0.770 (19.6)	0.720 (18.3)	2.500 (63.5)	1	3
12	13	0.688 - 24 UNEF	0.890 (22.6)	0.800 (20.3)	2.560 (65.0)	2	4
14	15	0.813 - 20 UNEF	1.020 (25.9)	0.850 (21.6)	2.690 (68.3)	2	5
16	17	0.938 - 20 UNEF	1.150 (29.2)	0.910 (23.1)	2.810 (71.4)	2	6
18	19	1.063 - 18 UNEF	1.230 (31.2)	1.000 (25.4)	3.030 (77.0)	3	6
20	21	1.188 - 18 UNEF	1.360 (34.5)	1.050 (26.7)	3.190 (81.0)	3	7
22	23	1.313 - 18 UNEF	1.480 (37.6)	1.100 (27.9)	3.310 (84.1)	3	8
24	25	1.438 - 18 UNEF	1.730 (43.9)	1.200 (30.5)	3.310 (84.1)	4	9

Dimensions are in inches (mm).



(Continued on next page)

Rev. 1825

M85049/37 Type 90° EMI/RFI Backshell

RY85049 Series • M85049 Type Backshells

RY85049/37 Clamp Size (Continued from previous page)

Clamp Size	B Max	CC Cable Range	
		Min	Max
01	0.781 (19.8)	0.062 (1.6)	0.125 (3.2)
02	0.969 (24.6)	0.125 (3.2)	0.250 (6.4)
03	1.062 (27.0)	0.250 (6.4)	0.375 (9.5)
04	1.156 (29.4)	0.312 (7.9)	0.500 (12.7)
05	1.250 (31.8)	0.437 (11.1)	0.625 (15.9)
06	1.375 (34.9)	0.562 (14.3)	0.750 (19.1)
07	1.500 (38.1)	0.687 (17.4)	0.875 (22.2)
08	1.625 (41.3)	0.812 (20.6)	1.000 (25.4)
09	1.750 (44.5)	0.937 (23.8)	1.125 (28.6)
10	1.875 (47.6)	1.062 (27.0)	1.250 (31.8)

Dimensions are in inches (mm).