

M85049/79 Type 90° EMI/RFI Env. Backshell

Ry85049 Series • M85049 Type Backshells

RY85049/79 - 11 N 04

- 1 **BASIC PART NUMBER**
RY85049/79
 M85049/79 type
 90° EMI/RFI environmental backshell
 (supersedes MIL-C-85049/79)
- 2 **SHELL SIZE**
 See Dimensions table below
- 3 **MATERIAL & FINISH**
N Aluminum, electroless nickel
W Aluminum, olive drab cadmium over electroless nickel
X Aluminum, nickel fluorocarbon polymer
Z Aluminum, black zinc-nickel
- 4 **CLAMP SIZE**
 See Clamp Size table below



Photo for example only

RY85049/79 Compatibility

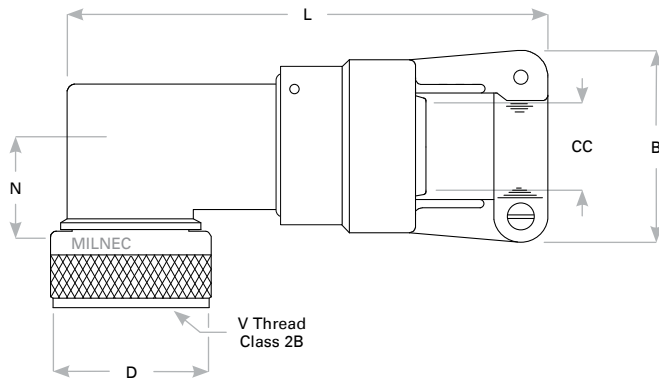
Compatible Connector Series

MIL-DTL-38999 Series III & IV EN3645

RY85049/79 Dimensions

Shell Size	D Max	V Thread Class 2B	N	L	Clamp Size	
					Min	Max
09	0.750 (19.1)	M12 X 1 - 6H	0.438 (11.1)	3.141 (79.8)	01	02
11	0.850 (21.6)	M15 X 1 - 6H	0.533 (13.5)	3.261 (82.8)	01	03
13	1.000 (25.4)	M18 X 1 - 6H	0.548 (13.9)	3.281 (83.3)	02	04
15	1.150 (29.2)	M22 X 1 - 6H	0.638 (16.2)	3.351 (85.1)	02	05
17	1.250 (31.8)	M25 X 1 - 6H	0.823 (20.9)	3.441 (87.4)	02	06
19	1.400 (35.6)	M28 X 1 - 6H	0.913 (23.2)	3.611 (91.7)	03	07
21	1.550 (39.4)	M31 X 1 - 6H	0.913 (23.2)	3.611 (91.7)	03	08
23	1.650 (41.9)	M34 X 1 - 6H	1.063 (27.0)	3.721 (94.5)	03	09
25	1.850 (47.0)	M37 X 1 - 6H	1.063 (27.0)	3.721 (94.5)	04	10

Dimensions are in inches (mm).



RY85049/79 Clamp Size

Clamp Size	B	CC Cable Range	
		Min	Max
01	0.800 (20.3)	0.062 (1.6)	0.125 (3.2)
02	1.000 (25.4)	0.125 (3.2)	0.250 (6.4)
03	1.100 (27.9)	0.250 (6.4)	0.375 (9.5)
04	1.200 (30.5)	0.375 (9.5)	0.500 (12.7)
05	1.250 (31.8)	0.500 (12.7)	0.625 (15.9)
06	1.400 (35.6)	0.625 (15.9)	0.750 (19.1)
07	1.500 (38.1)	0.750 (19.1)	0.875 (22.2)
08	1.650 (41.9)	0.875 (22.2)	1.000 (25.4)
09	1.750 (44.5)	1.000 (25.4)	1.125 (28.6)
10	1.900 (48.3)	1.125 (28.6)	1.250 (31.8)

Rev. 1825