

M85049/9 90° Environmental Backshell

R_Y85049 Series • M85049 Type Backshells



R_Y85049/9 - 16 W

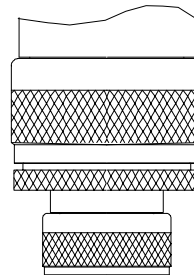
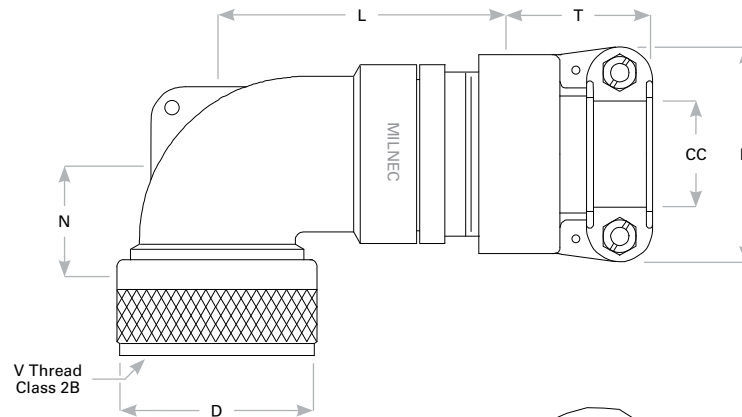
- 1 **BASIC PART NUMBER**
R_Y85049/9
- 2 **DASH NO.**
See dimensions table below
- 3 **MATERIAL & FINISH**

B	Stainless steel, black cadmium
N	Aluminum, electroless nickel
S	Stainless steel, passivated
W	Aluminum, olive drab cadmium over electroless nickel
X	Aluminum, nickel fluorocarbon polymer
Y	Aluminum, pure dense electrodeposited aluminum
Z	Aluminum, zinc-nickel
XS	Stainless steel, nickel fluorocarbon polymer
YS	Stainless steel, pure dense electrodeposited aluminum
ZS	Stainless steel, black zinc-nickel

R_Y85049/9 Compatibility

Compatible Connector Series

AS50151 Series 34001, MIL-DTL-26482 Series II, AS81703 Series III, MIL-DTL-83723 Series I & III, 40M39569, DEF 5326-3, EN 2997, EN 3646, ESC 10, ESC 11, LN 29504, NFC93422 Series HE302, PAN 6432-1, PAN 6432-2, PATT 602



Style 2

(Continued on next page)

Rev. 1825

M85049/9 90° Environmental Backshell

RY85049 Series • M85049 Type Backshells

RY85049/9 Dimensions (Continued from previous page)

Dash No.	Shell Size	D Max	V Thread Class 2B	N Max	L Max	T	B Max	M85049/42 Ref	CC Cable Clearance	
									Min	Max
1	3	.669 (17.0)	.562 - 24 UNEF	0.761 (19.3)	1.862 (47.3)	1.027 (26.1)	0.957 (24.3)	4	0.125 (3.2)	0.250 (6.4)
2	3	.669 (17.0)	.562 - 24 UNEF	1.511 (38.4)	1.382 (35.1)	1.027 (26.1)	1.145 (29.1)	6	0.250 (6.4)	0.437 (11.1)
3	8	.617 (15.7)	.500 - 20 UNF	0.666 (16.9)	1.262 (32.1)	1.027 (26.1)	0.957 (24.3)	4	0.125 (3.2)	0.250 (6.4)
4	10	.734 (18.6)	.625 - 24 UNEF	0.761 (19.3)	1.982 (50.3)	1.027 (26.1)	0.957 (24.3)	4	0.125 (3.2)	0.312 (7.9)
5	10	.734 (18.6)	.625 - 24 UNEF	0.761 (19.3)	1.382 (35.1)	1.027 (26.1)	1.145 (29.1)	6	0.250 (6.4)	0.375 (9.5)
6	12	.858 (21.8)	.750 - 20 UNEF	0.766 (19.5)	2.002 (50.9)	1.027 (26.1)	0.957 (24.3)	4	0.125 (3.2)	0.312 (7.9)
7	12	.858 (21.8)	.750 - 20 UNEF	0.766 (19.5)	2.002 (50.9)	1.027 (26.1)	1.145 (29.1)	6	0.250 (6.4)	0.437 (11.1)
8	12	.858 (21.8)	.750 - 20 UNEF	0.766 (19.5)	1.397 (35.5)	1.027 (26.1)	1.332 (33.8)	10	0.350 (8.9)	0.500 (12.7)
9	14	.984 (25.0)	.875 - 20 UNEF	0.866 (22.0)	2.072 (52.6)	1.027 (26.1)	1.145 (29.1)	6	0.250 (6.4)	0.437 (11.1)
10	14	.984 (25.0)	.875 - 20 UNEF	0.866 (22.0)	1.717 (43.6)	1.027 (26.1)	1.332 (33.8)	10	0.350 (8.9)	0.575 (14.6)
11	16	1.112 (28.2)	1.000 - 20 UNEF	1.051 (26.7)	2.162 (54.9)	1.027 (26.1)	1.145 (29.1)	6	0.250 (6.4)	0.437 (11.1)
12	16	1.112 (28.2)	1.000 - 20 UNEF	1.051 (26.7)	1.807 (45.9)	1.059 (26.9)	1.551 (39.4)	12	0.500 (12.7)	0.700 (17.8)
13	18	1.218 (30.9)	1.062 - 18 UNEF	1.141 (29.0)	2.332 (59.2)	1.027 (26.1)	1.332 (33.8)	10	0.350 (8.9)	0.625 (15.9)
14	18	1.218 (30.9)	1.062 - 18 UNEF	1.141 (29.0)	1.982 (50.3)	1.156 (29.4)	1.770 (45.0)	16	0.625 (15.9)	0.779 (19.8)
15	20	1.345 (34.2)	1.188 - 18 UNEF	1.141 (29.0)	2.332 (59.2)	1.027 (26.1)	1.332 (33.8)	10	0.350 (8.9)	0.625 (15.9)
16	20	1.345 (34.2)	1.188 - 18 UNEF	1.141 (29.0)	1.982 (50.3)	1.156 (29.4)	1.770 (45.0)	16	0.625 (15.9)	0.904 (23.0)
17	22	1.468 (37.3)	1.313 - 18 UNEF	1.291 (32.8)	2.442 (62.0)	1.059 (26.9)	1.551 (39.4)	12	0.500 (12.7)	0.750 (19.1)
18	22	1.468 (37.3)	1.313 - 18 UNEF	1.291 (32.8)	2.087 (53.0)	1.375 (34.9)	2.113 (53.7)	20	0.875 (22.2)	1.029 (26.1)
19	24	1.593 (40.5)	1.438 - 18 UNEF	1.291 (32.8)	2.442 (62.0)	1.059 (26.9)	1.551 (39.4)	12	0.500 (12.7)	0.750 (19.1)
20	24	1.593 (40.5)	1.438 - 18 UNEF	1.291 (32.8)	2.087 (53.0)	1.375 (34.9)	2.113 (53.7)	20	0.875 (22.2)	1.144 (29.1)
21	28	1.969 (50.0)	1.750 - 18 UNS	1.391 (35.3)	2.612 (66.3)	1.156 (33.7)	1.770 (45.0)	16	0.625 (15.9)	0.937 (23.8)
22	28	1.969 (50.0)	1.750 - 18 UNS	1.391 (35.3)	2.257 (57.3)	1.500 (38.1)	2.363 (60.0)	24	1.000 (25.4)	1.375 (34.9)
23	32	2.219 (56.4)	2.000 - 18 UNS	1.741 (44.2)	2.862 (72.7)	1.156 (29.4)	1.770 (45.0)	16	0.625 (15.9)	0.937 (23.8)
24	32	2.219 (56.4)	2.000 - 18 UNS	1.741 (44.2)	2.862 (72.7)	1.375 (34.9)	2.113 (53.7)	20	0.875 (22.2)	1.250 (31.8)
25	32	2.219 (56.4)	2.000 - 18 UNS	1.741 (44.2)	2.507 (63.7)	1.781 (45.2)	2.770 (70.4)	28	1.250 (31.8)	1.625 (41.3)
26	36	2.469 (62.7)	2.250 - 16 UN	1.941 (49.3)	2.832 (71.9)	1.156 (29.4)	1.770 (45.0)	16	0.625 (15.9)	0.937 (23.8)
27	36	2.469 (62.7)	2.250 - 16 UN	1.941 (49.3)	2.832 (71.9)	1.500 (38.1)	2.363 (60.0)	24	1.000 (25.4)	1.375 (34.9)
28	36	2.469 (62.7)	2.250 - 16 UN	1.941 (49.3)	2.477 (62.9)	1.830 (46.5)	3.020 (76.7)	32	1.437 (36.5)	1.840 (46.7)
29	40	2.719 (69.1)	2.500 - 16 UN	2.691 (68.4)	2.832 (71.9)	1.156 (29.4)	1.770 (45.0)	16	0.625 (15.9)	0.937 (23.8)
30	40	2.719 (69.1)	2.500 - 16 UN	2.691 (68.4)	2.832 (71.9)	1.500 (38.1)	2.363 (60.0)	24	1.000 (25.4)	1.375 (34.9)
31	40	2.719 (69.1)	2.500 - 16 UN	2.691 (68.4)	2.477 (62.9)	1.830 (46.5)	3.020 (76.7)	32	1.437 (36.5)	1.875 (47.6)
32	44	2.969 (75.4)	2.750 - 16 UN	2.691 (68.4)	2.832 (71.9)	1.156 (29.4)	1.770 (45.0)	16	0.625 (15.9)	0.937 (23.8)
33	44	2.969 (75.4)	2.750 - 16 UN	2.691 (68.4)	2.832 (71.9)	1.500 (38.1)	2.363 (60.0)	24	1.000 (25.4)	1.375 (34.9)
34	44	2.969 (75.4)	2.750 - 16 UN	2.691 (68.4)	2.477 (62.9)	1.830 (46.5)	3.020 (76.7)	32	1.437 (36.5)	1.875 (47.6)
35	48	3.219 (81.8)	3.000 - 16 UN	2.691 (68.4)	2.832 (71.9)	1.156 (29.4)	1.770 (45.0)	16	0.625 (15.9)	0.937 (23.8)
36	48	3.219 (81.8)	3.000 - 16 UN	2.691 (68.4)	2.832 (71.9)	1.500 (38.1)	2.363 (60.0)	24	1.000 (25.4)	1.375 (34.9)
37	48	3.219 (81.8)	3.000 - 16 UN	2.691 (68.4)	2.477 (62.9)	1.830 (46.5)	3.020 (76.7)	32	1.437 (36.5)	1.875 (47.6)
38	61	1.653 (42.0)	1.500 - 18 UNEF	1.291 (32.8)	2.442 (62.0)	1.059 (26.9)	1.551 (39.4)	12	0.500 (12.7)	0.750 (19.1)
39	61	1.653 (42.0)	1.500 - 18 UNEF	1.291 (32.8)	2.087 (53.0)	1.375 (34.9)	2.113 (53.7)	20	0.875 (22.2)	1.184 (30.1)
40	16	1.112 (28.2)	1.000 - 20 UNEF	1.051 (26.7)	2.162 (54.9)	1.027 (26.1)	1.332 (33.8)	10	0.350 (8.9)	0.625 (15.9)
41	18	1.218 (30.9)	1.062 - 18 UNEF	1.141 (29.0)	2.332 (59.2)	1.027 (26.1)	0.957 (24.3)	4	0.125 (3.2)	0.312 (7.9)
42	18	1.218 (30.9)	1.062 - 18 UNEF	1.141 (29.0)	2.332 (59.2)	1.027 (26.1)	1.145 (29.1)	6	0.250 (6.4)	0.437 (11.1)
43	20	1.345 (34.2)	1.188 - 18 UNEF	1.141 (29.0)	2.332 (59.2)	1.027 (26.1)	1.145 (29.1)	6	0.250 (6.4)	0.437 (11.1)
44	22	1.468 (37.3)	1.313 - 18 UNEF	1.291 (32.8)	2.442 (62.0)	1.027 (26.1)	0.957 (24.3)	4	0.125 (3.2)	0.312 (7.9)
45	22	1.468 (37.3)	1.313 - 18 UNEF	1.291 (32.8)	2.442 (62.0)	1.027 (26.1)	1.145 (29.1)	6	0.250 (6.4)	0.437 (11.1)
46	24	1.593 (40.5)	1.438 - 18 UNEF	1.291 (32.8)	2.442 (62.0)	1.027 (26.1)	1.332 (33.8)	10	0.350 (8.9)	0.625 (15.9)
47	36	2.469 (62.7)	2.250 - 16 UN	1.941 (49.3)	2.832 (71.9)	1.059 (26.9)	1.551 (39.4)	12	0.500 (12.7)	0.750 (19.1)

Dimensions are in inches (mm). *Denotes Style 2.

(Continued on next page)

M85049/9 90° Environmental Backshell

Ry85049 Series • M85049 Type Backshells

RY85049/9 Dimensions (Continued from previous page)

Dash No.	Shell Size	D Max	V Thread Class 2B	N Max	L Max	T	B Max	M85049/42 Ref	Cable Clearance	
									Min	Max
48	40	1.112 (28.2)	2.500 - 16 UN	1.941 (49.3)	2.832 (71.9)	1.059 (26.9)	1.551 (39.4)	12	0.500 (12.7)	0.750 (19.1)
*49	10	.734 (18.6)	.625 - 24 UNEF	1.516 (38.5)	2.002 (50.9)	1.027 (26.1)	1.145 (29.1)	6	0.250 (6.4)	0.437 (11.1)
*50	14	.984 (25.0)	.875 - 20 UNEF	1.891 (48.0)	2.332 (59.2)	1.059 (26.9)	1.551 (39.4)	12	0.500 (12.7)	0.750 (19.1)
*51	16	1.112 (28.2)	1.000 - 20 UNEF	2.041 (51.8)	2.442 (62.0)	1.156 (29.4)	1.770 (45.0)	16	0.625 (15.9)	0.937 (23.8)
52	18	1.218 (30.9)	1.062 - 18 UNEF	1.141 (29.0)	2.332 (59.2)	1.059 (26.9)	1.551 (39.4)	12	0.500 (12.7)	0.750 (19.1)
53	61	1.653 (42.0)	1.500 - 18 UNEF	1.291 (32.8)	2.087 (53.0)	1.156 (29.4)	1.770 (45.0)	16	0.625 (15.9)	0.937 (23.8)
54	20	1.345 (34.2)	1.188 - 18 UNEF	1.141 (29.0)	2.332 (59.2)	1.059 (26.9)	1.551 (39.4)	12	0.500 (12.7)	0.750 (19.1)
*55	20	1.345 (34.2)	1.188 - 18 UNEF	2.141 (54.4)	2.612 (66.3)	1.375 (34.9)	2.113 (53.7)	20	0.875 (22.2)	1.250 (31.8)
56	22	1.468 (37.3)	1.313 - 18 UNEF	1.291 (32.8)	2.442 (62.0)	1.027 (26.1)	1.332 (33.8)	10	0.350 (8.9)	0.625 (15.9)
57	22	1.468 (37.3)	1.313 - 18 UNEF	1.291 (32.8)	2.442 (62.0)	1.156 (29.4)	1.770 (45.0)	16	0.625 (15.9)	0.937 (23.8)
*58	22	1.468 (37.3)	1.313 - 18 UNEF	2.141 (54.4)	2.612 (66.3)	1.375 (34.9)	2.113 (53.7)	20	0.875 (22.2)	1.250 (31.8)
59	24	1.593 (40.5)	1.438 - 18 UNEF	1.291 (32.8)	2.442 (62.0)	1.156 (29.4)	1.770 (45.0)	16	0.625 (15.9)	0.937 (23.8)
60	28	1.969 (50.0)	1.750 - 18 UNS	1.391 (35.3)	2.612 (66.3)	1.059 (26.9)	1.551 (39.4)	12	0.500 (12.7)	0.750 (19.1)
61	28	1.969 (50.0)	1.750 - 18 UNS	1.391 (35.3)	2.612 (66.3)	1.375 (34.9)	2.113 (53.7)	20	0.875 (22.2)	1.250 (31.8)
62	32	2.219 (56.4)	2.000 - 18 UNS	1.741 (44.2)	2.862 (72.7)	1.500 (38.1)	2.363 (60.0)	24	1.000 (25.4)	1.375 (34.9)
63	36	2.469 (62.7)	2.250 - 16 UN	1.941 (49.3)	2.832 (71.9)	1.375 (34.9)	2.113 (53.7)	20	0.875 (22.2)	1.250 (31.8)
64	36	2.469 (62.7)	2.250 - 16 UN	1.941 (49.3)	2.832 (71.9)	1.781 (45.2)	2.770 (70.4)	28	1.250 (31.8)	1.625 (41.3)
65	40	2.719 (69.1)	2.500 - 16 UN	2.691 (68.4)	2.832 (71.9)	1.375 (34.9)	2.113 (53.7)	20	0.875 (22.2)	1.250 (31.8)
66	40	2.719 (69.1)	2.500 - 16 UN	2.691 (68.4)	2.832 (71.9)	1.781 (45.2)	2.770 (70.4)	28	1.250 (31.8)	1.625 (41.3)
67	44	2.969 (75.4)	2.750 - 16 UN	2.691 (68.4)	2.832 (71.9)	1.375 (34.9)	2.113 (53.7)	20	0.875 (22.2)	1.250 (31.8)
68	44	2.969 (75.4)	2.750 - 16 UN	2.691 (68.4)	2.832 (71.9)	1.781 (45.2)	2.770 (70.4)	28	1.250 (31.8)	1.625 (41.3)
69	48	3.219 (81.8)	3.000 - 16 UN	2.691 (68.4)	2.832 (71.9)	1.375 (34.9)	2.113 (53.7)	20	0.875 (22.2)	1.250 (31.8)
70	48	3.219 (81.8)	3.000 - 16 UN	2.691 (68.4)	2.832 (71.9)	1.781 (45.2)	2.770 (70.4)	28	1.250 (31.8)	1.625 (41.3)
*71	12	.858 (21.8)	.750 - 20 UNEF	1.811 (46.0)	2.162 (54.9)	1.027 (26.1)	1.332 (33.8)	10	0.350 (8.9)	0.625 (15.9)
*72	18	1.218 (30.9)	1.062 - 18 UNEF	2.051 (52.1)	2.442 (62.0)	1.156 (29.4)	1.770 (45.0)	16	0.625 (15.9)	0.937 (23.8)
*73	24	1.593 (40.5)	1.438 - 18 UNEF	2.151 (54.6)	2.612 (66.3)	1.375 (34.9)	2.116 (53.7)	20	0.875 (22.2)	1.250 (31.8)
74	14	.984 (25.0)	.875 - 20 UNEF	0.866 (22.0)	2.072 (52.6)	1.027 (26.1)	0.957 (24.3)	4	0.125 (3.2)	0.312 (7.9)
75	16	1.112 (28.2)	1.000 - 20 UNEF	1.051 (26.7)	2.162 (54.9)	1.027 (26.1)	0.957 (24.3)	4	0.125 (3.2)	0.312 (7.9)

Dimensions are in inches (mm). * Denotes Style 2.