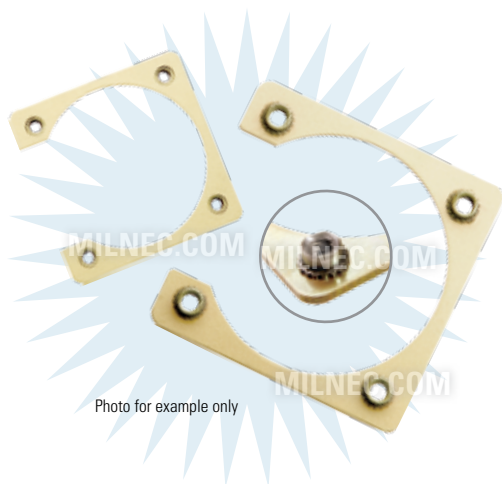


# M85049/94 Type Full Perimeter Mounting Flange

RY85049 Series • M85049 Type Backshells



## RY85049/94 - 16 - A

- 1 **BASIC PART NUMBER**  
**RY85049/94**  
 M85049/94 type  
 Full perimeter mounting flange  
 (Supersedes MIL-C-88528/1)
- 2 **SHELL SIZE**  
 See dimensions table below
- 3 **MATERIAL & FINISH**  
**A** Primer coat required

## RY85049/94 Compatibility

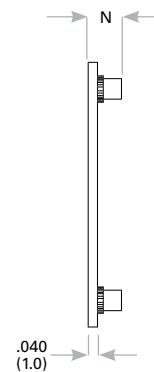
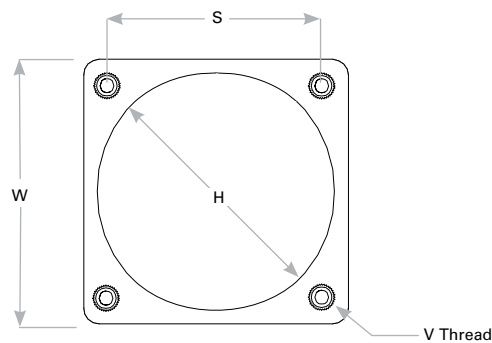
Compatible Connector Series

Supersedes MIL-C-88528/1

## RY85049/94 Dimensions

Shell Size	W Max	S	V Thread UNJC-3B	H	N
8	0.980 (24.9)	0.594 (15.1)	4-40	0.570 (14.5)	0.106 (1.7)
10	1.034 (26.3)	0.719 (18.3)	4-40	0.720 (18.3)	0.106 (1.7)
12	1.119 (28.4)	0.812 (20.6)	4-40	0.855 (21.7)	0.106 (1.7)
14	1.213 (30.8)	0.906 (23.0)	4-40	0.984 (25.0)	0.106 (1.7)
16	1.295 (32.9)	0.969 (24.6)	4-40	1.094 (27.8)	0.106 (1.7)
18	1.421 (36.1)	1.062 (27.0)	4-40	1.220 (31.0)	0.106 (1.7)
20	1.550 (39.4)	1.156 (29.4)	4-40	1.345 (34.2)	0.106 (1.7)
22	1.680 (42.7)	1.250 (31.8)	4-40	1.478 (37.5)	0.106 (1.7)
24	1.800 (45.7)	1.375 (34.9)	6-32	1.595 (40.5)	0.123 (1.8)
25	1.910 (48.5)	1.500 (38.1)	6-32	1.658 (42.1)	0.123 (1.8)

Dimensions are in inches (mm).



Rev. 1825