

MS90555 Connector Type Datasheet

LM Series • MIL-DTL-22992 Type Power Connectors



LM00 C 44-12 4 N

- 1 **BASIC PART NUMBER**
LM00 Wall mount receptacle
 Socket contacts (power source)
 Includes backshell, gasket, cover
- 2 **MATERIAL & FINISH**
C Aluminum, olive drab cadmium
 (Conductive for AC applications)
N Aluminum, anodized finish
 (Non-conductive for DC applications)
- 3 **SHELL SIZE & INSERT PATTERN**
 See Insert Arrangement Drawings, p. P-8
- 4 **MASTER KEYWAY POSITION**
 Power requirements determine master key/keyway
 (See Master Key/Keyway Position table, p. P-7)
- 5 **ALTERNATE ROTATION**
N NORMAL or W, X, Y, Z, see p. P-7 for availability

LM00 Cross Reference & Compatibility

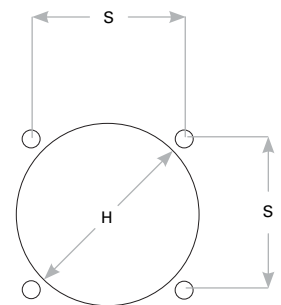
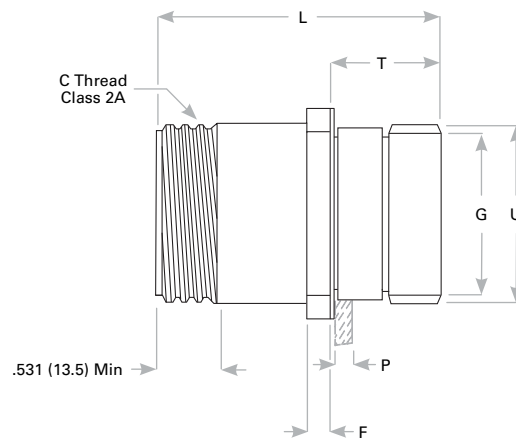
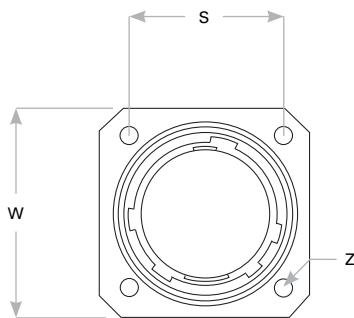
Compatible Brands	Equivalent	Mates
MIL-DTL-22992 Class L	MS90555	MS90556
Cooper Interconnect	GCL55	GCL56
Robert Technologies	RT90555	RT90556
UEC	UEC90555	UEC90556

Note: See part builder (p. P-6) for complete information.

Receptacle Dimensions

Shell Size	W	Z	C Thread Class 2A	L	F	T	U	G	S	H
28	2.375 (60.3)	.177 (4.5)	2.000-.1428P-.2857L	3.564 (90.6)	.312 (7.9)	1.376 (35.0)	2.000 (50.8)	1.938 (49.2)	1.844 (46.8)	1.976 (50.2)
32	2.625 (66.7)	.209 (5.3)	2.250-.1428P-.2857L	3.564 (90.6)	.312 (7.9)	1.376 (35.0)	2.250 (57.2)	2.188 (55.6)	2.062 (52.4)	2.228 (56.6)
44	3.375 (85.7)	.281 (7.1)	3.000-.1428P-.2857L	3.970 (100.8)	.312 (7.9)	1.438 (36.5)	3.125 (79.4)	3.062 (77.8)	2.812 (71.4)	3.102 (78.8)
52	3.875 (98.4)	.281 (7.1)	3.500-.1428P-.2857L	3.970 (100.8)	.312 (7.9)	1.438 (36.5)	3.625 (92.1)	3.562 (90.5)	3.156 (80.2)	3.602 (91.5)

Dimensions are in inches (mm).



Panel Cut-Out