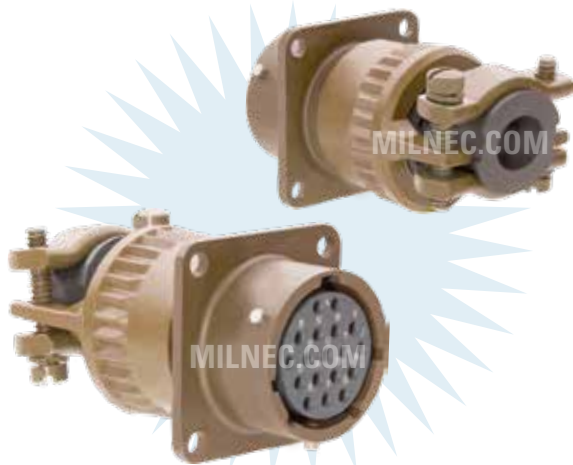


# MS3120 Connector Type Datasheet

HR Series • MIL-26482 Series 1 Crimp Type Connectors



## HR00 F 14-18 S N - 03

- 1 **BASIC PART NUMBER**  
HR00 Wall mount receptacle w/ integrated backshell
- 2 **MATERIAL & FINISH**  
F Aluminum, olive drab cadmium
- 3 **SHELL SIZE & INSERT ARRANGEMENT**  
See Insert Arrangement Selection table, p. U-9
- 4 **CONTACT STYLE**  
P Pin  
S Socket
- 5 **INSERT ROTATION**  
N Normal or W, X, Y, Z, see p. U-9 for availability
- 6 **OPTIONAL ACCESSORY KIT (OMIT FOR NONE)**  
02 Protective cover + mounting gasket  
03 02 kit + mounting bracket + sealing screws

### HR00 Cross Reference & Compatibility

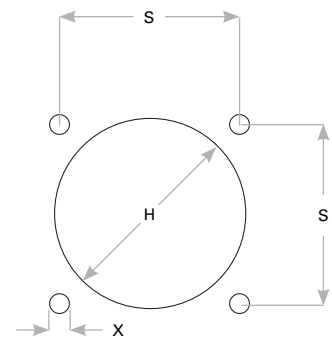
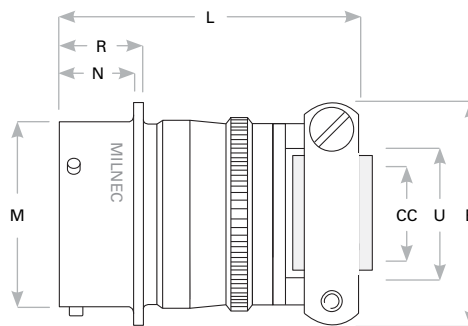
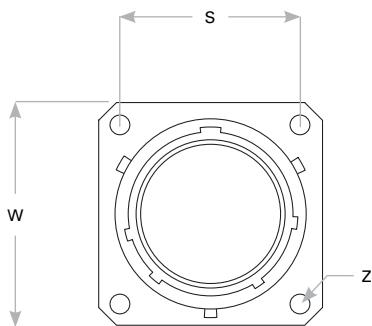
Compatible Brands	Equivalent	Mates
MIL-26482 Series 1 Crimp	MS3120	MS3126
Amphenol	PT00SE	PT06SE, PT08SE
Array	PWF00	PWF06, PWF08
ITT Cannon	KPSE00	KPSE06, KPSE08
Souriau	85100	85106, 85108

Note: See part builder (p. U-8) for additional kit options.

### Receptacle Dimensions

Shell Size	W	Z	L	R	N	M	B	U	CC Cable Clearance	S	X	H
8	.812 (20.6)	.120 (3.0)	1.922 (48.8)	.493 (12.5)	.431 (10.9)	.473 (12.0)	.812 (20.6)	.240 (6.1)	.125 (3.2)	.594 (15.1)	.120 (3.1)	.449 (11.4)
10	.938 (23.8)	.120 (3.0)	1.922 (48.8)	.493 (12.5)	.431 (10.9)	.590 (15.0)	.875 (22.2)	.302 (7.7)	.188 (4.8)	.719 (18.3)	.120 (3.1)	.573 (14.6)
12	1.031 (26.2)	.120 (3.0)	1.922 (48.8)	.493 (12.5)	.431 (10.9)	.750 (19.1)	1.000 (25.4)	.428 (10.9)	.312 (7.9)	.812 (20.6)	.120 (3.1)	.699 (17.8)
14	1.125 (28.6)	.120 (3.0)	1.922 (48.8)	.493 (12.5)	.431 (10.9)	.875 (22.2)	1.125 (28.6)	.552 (14.0)	.375 (9.5)	.906 (23.0)	.120 (3.1)	.823 (20.9)
16	1.219 (31.0)	.120 (3.0)	2.047 (52.0)	.493 (12.5)	.431 (10.9)	1.000 (25.4)	1.188 (30.2)	.615 (15.6)	.500 (12.7)	.969 (24.6)	.120 (3.1)	.949 (24.1)
18	1.312 (33.3)	.120 (3.0)	2.078 (52.8)	.493 (12.5)	.431 (10.9)	1.125 (28.6)	1.438 (36.5)	.740 (18.8)	.625 (15.9)	1.062 (27.0)	.120 (3.1)	1.073 (27.3)
20	1.438 (36.5)	.120 (3.0)	2.344 (59.5)	.650 (16.5)	.556 (14.1)	1.250 (31.8)	1.438 (36.5)	.740 (18.8)	.625 (15.9)	1.156 (29.4)	.120 (3.1)	1.199 (30.5)
22	1.562 (39.7)	.120 (3.0)	2.344 (59.5)	.650 (16.5)	.556 (14.1)	1.375 (34.9)	1.625 (41.3)	.928 (23.6)	.750 (19.1)	1.250 (31.8)	.120 (3.1)	1.323 (33.6)
24	1.688 (42.9)	.147 (3.7)	2.406 (61.1)	.683 (17.3)	.589 (15.0)	1.500 (38.1)	1.719 (43.7)	.990 (25.1)	.800 (20.3)	1.375 (34.9)	.147 (3.7)	1.449 (36.8)

Dimensions are in inches (mm).. Not recommended for rear panel installations.



Front Mount Panel Cutout

Rev. 1825