

MS3122 Connector Type Datasheet

HR Series • MIL-26482 Series 1 Crimp Type Connectors

HR02 F 14-19 S W - 03

- 1 **BASIC PART NUMBER**
HR02 Box mount receptacle
- 2 **MATERIAL & FINISH**
F Aluminum, olive drab cadmium
- 3 **SHELL SIZE & INSERT ARRANGEMENT**
See Insert Arrangement Selection table, p. U-9
- 4 **CONTACT STYLE**
P Pin
S Socket
- 5 **INSERT ROTATION**
N Normal or W, X, Y, Z, see p. U-9 for availability
- 6 **OPTIONAL ACCESSORY KIT (OMIT FOR NONE)**
02 Protective cover + mounting gasket
03 02 kit + mounting bracket + sealing screws



HR02 Cross Reference & Compatibility

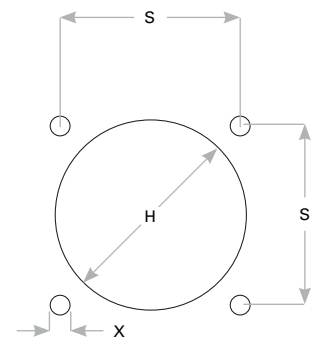
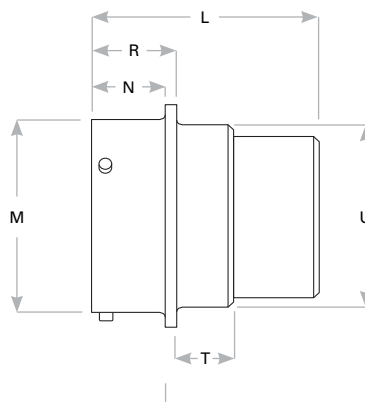
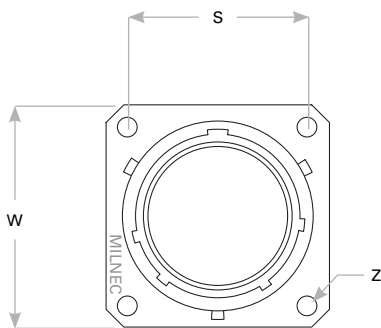
Compatible Brands	Equivalent	Mates
MIL-26482 Series 1 Crimp	MS3122	MS3126
Amphenol	PT02SE	PT06SE, PT08SE
Array	PWF02	PWF06, PWF08
ITT Cannon	KPSE02	KPSE06, KPSE08
Souriau	85102	85106, 85108

Note: See part builder (p. U-8) for additional kit options.

Receptacle Dimensions

Shell Size	W	Z	L	R	N	M	T	U	S	X	H
8	.828 (21.0)	.120 (3.0)	1.296 (32.9)	.493 (12.5)	.431 (10.9)	.473 (12.0)	.312 (7.9)	.438 (11.1)	.594 (15.1)	.120 (3.1)	.449 (11.4)
10	.954 (24.2)	.120 (3.0)	1.296 (32.9)	.493 (12.5)	.431 (10.9)	.590 (15.0)	.312 (7.9)	.562 (14.3)	.719 (18.3)	.120 (3.1)	.573 (14.6)
12	1.047 (26.6)	.120 (3.0)	1.296 (32.9)	.493 (12.5)	.431 (10.9)	.750 (19.1)	.312 (7.9)	.688 (17.5)	.812 (20.6)	.120 (3.1)	.699 (17.8)
14	1.141 (29.0)	.120 (3.0)	1.296 (32.9)	.493 (12.5)	.431 (10.9)	.875 (22.2)	.312 (7.9)	.812 (20.6)	.906 (23.0)	.120 (3.1)	.823 (20.9)
16	1.234 (31.3)	.120 (3.0)	1.296 (32.9)	.493 (12.5)	.431 (10.9)	1.000 (25.4)	.312 (7.9)	.938 (23.8)	.969 (24.6)	.120 (3.1)	.949 (24.1)
18	1.328 (33.7)	.120 (3.0)	1.296 (32.9)	.493 (12.5)	.431 (10.9)	1.125 (28.6)	.312 (7.9)	1.062 (27.0)	1.062 (27.0)	.120 (3.1)	1.073 (27.3)
20	1.453 (36.9)	.120 (3.0)	1.358 (34.5)	.650 (16.5)	.556 (14.1)	1.250 (31.8)	.406 (10.3)	1.188 (30.2)	1.156 (29.4)	.120 (3.1)	1.199 (30.5)
22	1.578 (40.1)	.120 (3.0)	1.358 (34.5)	.650 (16.5)	.556 (14.1)	1.375 (34.9)	.406 (10.3)	1.312 (33.3)	1.250 (31.8)	.120 (3.1)	1.323 (33.6)
24	1.703 (43.3)	.147 (3.7)	1.358 (34.5)	.683 (17.3)	.589 (15.0)	1.500 (38.1)	.406 (10.3)	1.438 (36.5)	1.375 (34.9)	.147 (3.7)	1.449 (36.8)

Dimensions are in inches (mm). Not recommended for rear panel installations.



Front Mount
Panel Cutout

Rev. 1825