

MS3124 Connector Type Datasheet

HR Series • MIL-26482 Series 1 Crimp Type Connectors



HR07 F 14-18 S N - 02

- 1 **BASIC PART NUMBER**
HR07 Jam nut recept. w/ integrated backshell
- 2 **MATERIAL & FINISH**
F Aluminum, olive drab cadmium
- 3 **SHELL SIZE & INSERT ARRANGEMENT**
See Insert Arrangement Selection table, p. U-9
- 4 **CONTACT STYLE**
P Pin
S Socket
- 5 **INSERT ROTATION**
N Normal or W, X, Y, Z, see p. U-9 for availability
- 6 **OPTIONAL ACCESSORY KIT (OMIT FOR NONE)**
02 Protective cover

HR07 Cross Reference & Compatibility

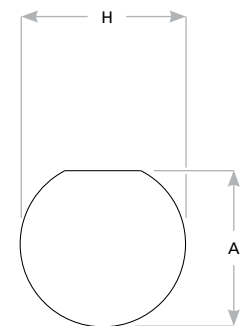
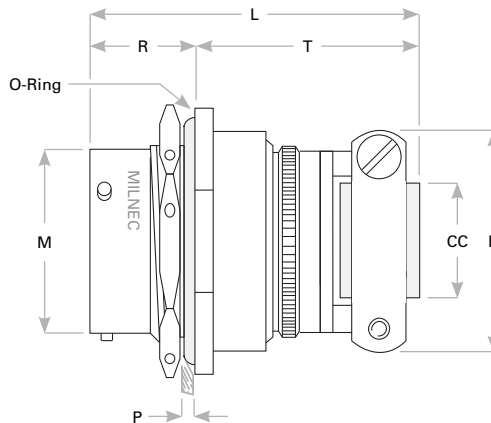
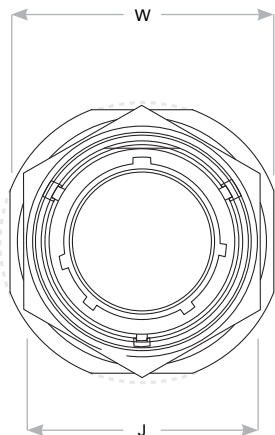
Compatible Brands	Equivalent	Mates
MIL-26482 Series 1 Crimp	MS3124	MS3126
Amphenol	PT07SE	PT06SE, PT08SE
Array	PWF07	PWF06, PWF08
ITT Cannon	KPSE07	KPSE06, KPSE08
Souriau	85107	85106, 85108

Note: See part builder (p. U-8) for additional kit options.

Receptacle Dimensions

Shell Size	W	J	L	R	M	T	B	CC Cable Clearance	P Max Rear Panel†	H	A
8	.938 (23.8)	.750 (19.1)	1.758 (44.7)	.696 (17.7)	.473 (11.9)	1.062 (27.0)	0.781 (19.8)	0.250 (6.4)	.125 (3.2)	.572 (14.5)	.542 (13.8)
10	1.062 (27.0)	.875 (22.2)	1.758 (44.7)	.696 (17.7)	.590 (15.0)	1.062 (27.0)	0.844 (21.4)	0.312 (7.9)	.125 (3.2)	.697 (17.7)	.669 (17.0)
12	1.250 (31.8)	1.062 (27.0)	1.758 (44.7)	.696 (17.7)	.750 (19.1)	1.062 (27.0)	0.969 (24.6)	0.438 (11.1)	.125 (3.2)	.884 (22.5)	.830 (21.1)
14	1.375 (34.9)	1.188 (30.2)	1.758 (44.7)	.696 (17.7)	.875 (22.2)	1.062 (27.0)	1.094 (27.8)	0.562 (14.3)	.125 (3.2)	1.007 (25.6)	.955 (24.3)
16	1.500 (38.1)	1.312 (33.3)	1.884 (47.9)	.696 (17.7)	1.000 (25.4)	1.188 (30.2)	1.156 (29.4)	0.625 (15.9)	.125 (3.2)	1.134 (28.8)	1.084 (27.5)
18	1.625 (41.3)	1.438 (36.5)	1.884 (47.9)	.696 (17.7)	1.125 (28.6)	1.188 (30.2)	1.406 (35.7)	0.750 (19.1)	.125 (3.2)	1.259 (32.0)	1.208 (30.7)
20	1.812 (46.0)	1.562 (39.7)	2.134 (54.2)	.884 (22.4)	1.250 (31.8)	1.250 (31.8)	1.406 (35.7)	0.750 (19.1)	.250 (6.4)	1.384 (35.2)	1.333 (33.9)
22	1.938 (49.2)	1.688 (42.9)	2.134 (54.2)	.884 (22.4)	1.375 (35.0)	1.250 (31.8)	1.594 (40.5)	0.938 (23.8)	.250 (6.4)	1.507 (38.3)	1.459 (37.1)
24	2.062 (52.4)	1.816 (46.1)	2.167 (55.1)	.917 (23.3)	1.500 (38.1)	1.250 (31.8)	1.594 (40.5)	1.000 (25.4)	.250 (6.4)	1.634 (41.5)	1.575 (40.0)

Dimensions are in inches (mm). † Max panel thickness applies only to rear mount applications to ensure proper coupling clearance.



Panel Cutout

Rev. 1825