

MS3126 Connector Type Datasheet

HR Series • MIL-26482 Series 1 Crimp Type Connectors



HR06 F 14-19 P N - 01

- 1 **BASIC PART NUMBER**
HR06 Straight plug w/ integrated backshell
- 2 **MATERIAL & FINISH**
F Aluminum, olive drab cadmium
- 3 **SHELL SIZE & INSERT ARRANGEMENT**
See Insert Arrangement Selection table, p. U-9
- 4 **CONTACT STYLE**
P Pin
S Socket
- 5 **INSERT ROTATION**
N Normal or W, X, Y, Z, see p. U-9 for availability
- 6 **OPTIONAL ACCESSORY KIT (OMIT FOR NONE)**
01 Protective cover

HR06 Cross Reference & Compatibility

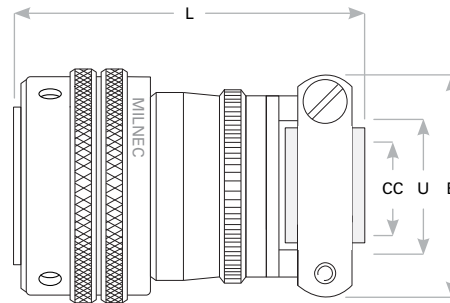
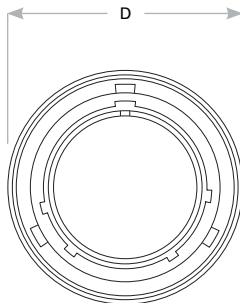
Compatible Brands	Equivalents	Mates
MIL-26482 Series 1 Crimp	MS3126	MS3120, MS3121, MS3122, MS3124
Amphenol	PT06SE	PT00SE, PT01SE, PT02SE, PT07SE
Array	PWF06	PWF00, PWF01, PWF02, PWF07
ITT Cannon	KPSE06	KPSE00, KPSE01, KPSE02, KPSE07
Souriau	85106	85100, 85101, 85102, 85107

Note: See part builder (p. U-8) for additional kit options.

Plug Dimensions

Shell Size	D	L	B	U	CC Cable Clearance
8	.750 (19.1)	1.906 (48.4)	.812 (20.6)	.240 (6.1)	.125 (3.2)
10	.859 (21.8)	1.906 (48.4)	.875 (22.2)	.302 (7.7)	.188 (4.8)
12	1.013 (25.7)	1.906 (48.4)	1.000 (25.4)	.428 (10.9)	.312 (7.9)
14	1.156 (29.4)	1.906 (48.4)	1.125 (28.6)	.552 (14.0)	.375 (9.5)
16	1.281 (32.5)	2.047 (52.0)	1.188 (30.2)	.615 (15.6)	.500 (12.7)
18	1.319 (33.5)	2.078 (52.8)	1.438 (36.5)	.740 (18.8)	.625 (15.9)
20	1.531 (38.9)	2.250 (57.2)	1.438 (36.5)	.740 (18.8)	.625 (15.9)
22	1.656 (42.1)	2.250 (57.2)	1.625 (41.3)	.928 (23.6)	.750 (19.1)
24	1.776 (45.1)	2.312 (58.7)	1.750 (44.5)	.990 (25.1)	.800 (20.3)

Dimensions are in inches (mm).



Rev. 1825