

## HMCD - 14 F - 03

- 1 **BASIC PART NUMBER**  
HMCD Stowage receptacle
- 2 **SHELL SIZE**  
See Stowage Receptacle Dimensions table below
- 3 **MATERIAL & FINISH**  
F Aluminum, olive drab cadmium
- 4 **OPTIONAL ACCESSORY KIT (OMIT FOR NONE)**
  - 02 Protective cover + mounting gasket
  - 03 02 kit + mounting bracket + sealing screws

**Note:** See part builder (p. H-8) for additional kit options.



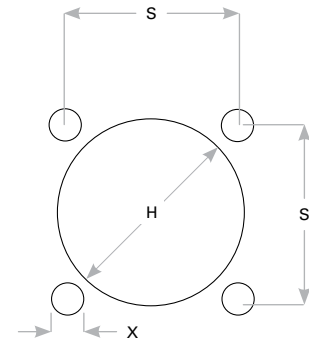
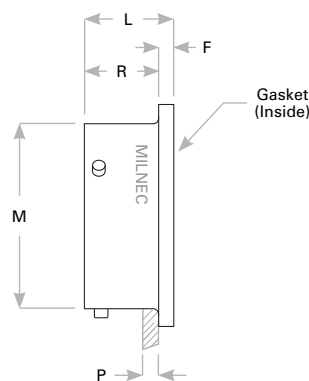
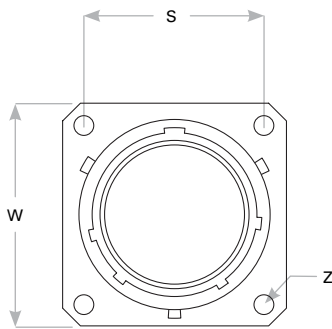
### HMCD Compatibility

Compatible Brands	Plugs
MIL-DTL-26482 Series 1	MS3116
Amphenol	PT06, PT08
Array	PW06, PW08
ITT Cannon	KPT06, KPT08
Souriau	85106, 85108

### Stowage Receptacle Dimensions

Shell Size	W	Z	L	R	M	F	P Max Rear Panel†	S	X	H
8	.828 (21.0)	.120 (3.0)	.540 (13.8)	.478 (12.2)	.471 (12.0)	.062 (1.6)	.125 (3.2)	.594 (15.1)	.120 (3.1)	.449 (11.4)
10	.954 (24.2)	.120 (3.0)	.540 (13.8)	.478 (12.2)	.588 (14.9)	.062 (1.6)	.125 (3.2)	.719 (18.3)	.120 (3.1)	.573 (14.6)
12	1.047 (26.6)	.120 (3.0)	.540 (13.8)	.478 (12.2)	.748 (19.0)	.062 (1.6)	.125 (3.2)	.812 (20.6)	.120 (3.1)	.699 (17.8)
14	1.141 (29.0)	.120 (3.0)	.540 (13.8)	.478 (12.2)	.873 (22.2)	.062 (1.6)	.125 (3.2)	.906 (23.0)	.120 (3.1)	.823 (20.9)
16	1.234 (31.3)	.120 (3.0)	.540 (13.8)	.478 (12.2)	.998 (25.3)	.062 (1.6)	.125 (3.2)	.969 (24.6)	.120 (3.1)	.949 (24.1)
18	1.328 (33.7)	.120 (3.0)	.540 (13.8)	.478 (12.2)	1.123 (28.5)	.062 (1.6)	.125 (3.2)	1.062 (27.0)	.120 (3.1)	1.073 (27.3)
20	1.453 (36.9)	.120 (3.0)	.666 (16.9)	.572 (14.5)	1.248 (31.7)	.094 (2.4)	.250 (6.4)	1.156 (29.4)	.120 (3.1)	1.199 (30.5)
22	1.578 (40.1)	.120 (3.0)	.666 (16.9)	.572 (14.5)	1.373 (34.9)	.094 (2.4)	.250 (6.4)	1.250 (31.8)	.120 (3.1)	1.323 (33.6)
24	1.703 (43.3)	.147 (3.7)	.699 (17.8)	.605 (15.4)	1.498 (38.0)	.094 (2.4)	.250 (6.4)	1.375 (34.9)	.147 (3.7)	1.449 (36.8)

Dimensions are in inches (mm). † Max panel thickness applies only to rear mount applications to ensure proper coupling clearance.



Panel Cutout