

# Box Mount Receptacle (Hermetic)

HM Series • MIL-DTL-26482 Series 1 Type Connectors

## HM12 H 14-15 P N - 02

- 1 **BASIC PART NUMBER**  
**HM12** Hermetic box mount receptacle  
 Helium leakage <math>1.0 \times 10^{-7}</math> cc<sup>3</sup>/sec at 15 psi
- 2 **MATERIAL & FINISH**  
**H** Carbon steel, tin plating over nickel
- 3 **SHELL SIZE & INSERT ARRANGEMENT**  
 See Insert Arrangement Selection table, p. H-9
- 4 **CONTACT STYLE**  
**P** Pin, tin plated, solder cup termination  
**G\*** Pin, gold plated, solder cup termination  
**S\*** Socket, tin plated, solder cup termination  
**H\*** Socket, gold plated, solder cup termination
- 5 **INSERT ROTATION**  
**N** Normal or W, X, Y, Z, see p. H-9 for availability
- 6 **OPTIONAL ACCESSORY KIT (OMIT FOR NONE)**  
**02** Protective cover + mounting gasket  
**03** 02 kit + mounting bracket + sealing screws

\* Please consult an authorized distributor for lead time and minimum quantity requirements.

**Note:** See part builder (p. H-8) for additional kit options.



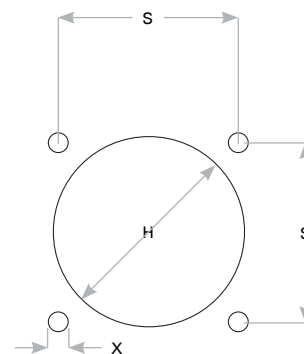
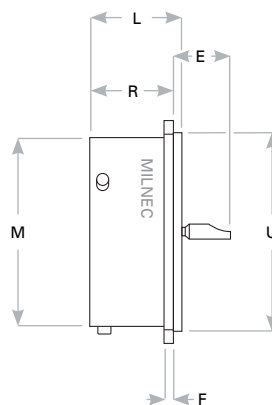
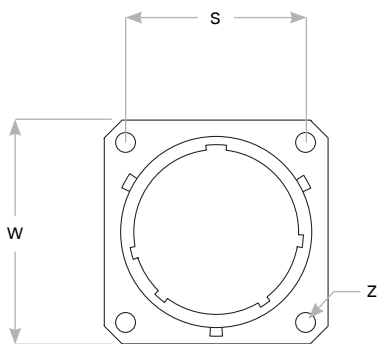
### HM12 Compatibility

Compatible Brands	Mates
<b>MIL-DTL-26482 Series 1</b>	MS3116
<b>Amphenol</b>	PT06, PT08
<b>Array</b>	PW06, PW08
<b>ITT Cannon</b>	KPT06, KPT08
<b>Souriau</b>	85106, 85108

### Receptacle Dimensions

Shell Size	W	Z	L	R	M	F	E	U	S	X	H
8	.812 (20.6)	.120 (3.1)	.541 (13.8)	.494 (12.6)	.473 (12.0)	.062 (1.6)	.344 (8.7)	.562 (14.3)	.594 (15.1)	.120 (3.1)	.449 (11.4)
10	.938 (23.8)	.120 (3.1)	.541 (13.8)	.494 (12.6)	.590 (15.0)	.062 (1.6)	.344 (8.7)	.672 (17.1)	.719 (18.3)	.120 (3.1)	.573 (14.6)
12	1.031 (26.2)	.120 (3.1)	.541 (13.8)	.494 (12.6)	.750 (19.1)	.062 (1.6)	.344 (8.7)	.781 (19.8)	.812 (20.6)	.120 (3.1)	.699 (17.8)
14	1.125 (28.6)	.120 (3.1)	.541 (13.8)	.494 (12.6)	.875 (22.2)	.062 (1.6)	.344 (8.7)	.906 (23.0)	.906 (23.0)	.120 (3.1)	.823 (20.9)
16	1.219 (31.0)	.120 (3.1)	.541 (13.8)	.494 (12.6)	1.000 (25.4)	.062 (1.6)	.344 (8.7)	1.031 (26.2)	.969 (24.6)	.120 (3.1)	.949 (24.1)
18	1.312 (33.3)	.120 (3.1)	.541 (13.8)	.494 (12.6)	1.125 (28.6)	.062 (1.6)	.344 (8.7)	1.156 (29.4)	1.062 (27.0)	.120 (3.1)	1.073 (27.3)
20	1.438 (36.5)	.120 (3.1)	.603 (15.3)	.556 (14.1)	1.250 (31.8)	.062 (1.6)	.344 (8.7)	1.250 (31.8)	1.156 (29.4)	.120 (3.1)	1.199 (30.5)
22	1.562 (39.7)	.120 (3.1)	.635 (16.1)	.556 (14.1)	1.375 (34.9)	.062 (1.6)	.377 (9.6)	1.375 (34.9)	1.250 (31.8)	.120 (3.1)	1.323 (33.6)
24	1.688 (42.9)	.147 (3.7)	.667 (16.9)	.588 (14.9)	1.500 (38.1)	.062 (1.6)	.377 (9.6)	1.500 (38.1)	1.375 (34.9)	.147 (3.7)	1.449 (36.8)

Dimensions are in inches (mm). Not recommended for rear panel installations.



Front Mount  
Panel Cutout

Rev. 2203