

# Jam Nut Receptacle (Hermetic)

HM Series • MIL-DTL-26482 Series 1 Type Connectors



## HM13 H 12-3 P N - 02

- 1 **BASIC PART NUMBER**  
**HM13** Hermetic jam nut receptacle  
 Helium leakage <math> < 1.0 \times 10^{-7}</math> cc<sup>3</sup>/sec at 15 psi
- 2 **MATERIAL & FINISH**  
**H** Carbon steel, tin plating over nickel
- 3 **SHELL SIZE & INSERT ARRANGEMENT**  
 See Insert Arrangement Selection table, p. H-9
- 4 **CONTACT STYLE**  
**P** Pin, tin plated, solder cup termination  
**G\*** Pin, gold plated, solder cup termination  
**S\*** Socket, tin plated, solder cup termination  
**H\*** Socket, gold plated, solder cup termination
- 5 **INSERT ROTATION**  
**N** Normal or W, X, Y, Z, see p. H-9 for availability
- 6 **OPTIONAL ACCESSORY KIT (OMIT FOR NONE)**  
**02** Protective cover

\* Please consult an authorized distributor for lead time and minimum quantity requirements.

**Note:** See part builder (p. H-8) for additional kit options.

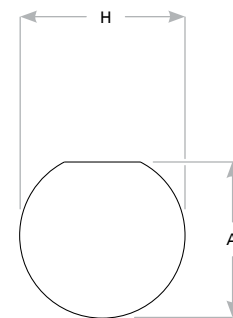
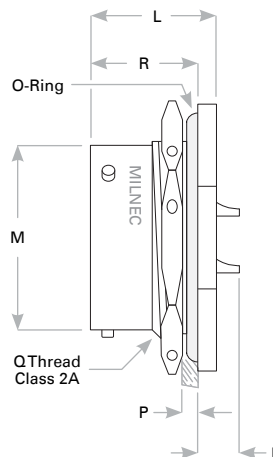
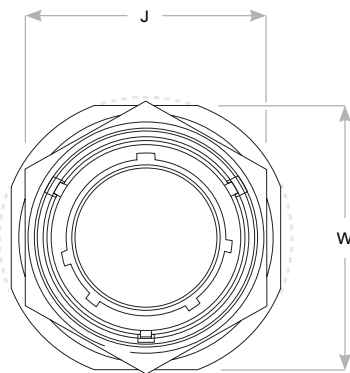
### HM13 Compatibility

Compatible Brands	Mates
MIL-DTL-26482 Series 1	MS3116
Amphenol	PT06, PT08
Array	PW06, PW08
ITT Cannon	KPT06, KPT08
Souriau	85106, 85108

### Receptacle Dimensions

Shell Size	W	J	L	R	M	Q Thread Class 2A	E	P Max Rear Panel†	H	A
8	.938 (23.8)	.750 (19.1)	.790 (20.1)	.696 (17.7)	.473 (12.0)	.5625-24 NEF	.206 (5.2)	.125 (3.2)	.572 (14.5)	.542 (13.8)
10	1.062 (27.0)	.875 (22.2)	.790 (20.1)	.696 (17.7)	.590 (15.0)	.6875-24 NEF	.206 (5.2)	.125 (3.2)	.697 (17.7)	.669 (17.0)
12	1.250 (31.8)	1.062 (27.0)	.790 (20.1)	.696 (17.7)	.750 (19.1)	.8750-20 UNEF	.206 (5.2)	.125 (3.2)	.884 (22.5)	.830 (21.1)
14	1.375 (34.9)	1.188 (30.2)	.790 (20.1)	.696 (17.7)	.875 (22.2)	1.0000 20 UNEF	.206 (5.2)	.125 (3.2)	1.007 (25.6)	.955 (24.3)
16	1.500 (38.1)	1.312 (33.3)	.790 (20.1)	.696 (17.7)	1.000 (25.4)	1.1250-18 NEF	.206 (5.2)	.125 (3.2)	1.134 (28.8)	1.084 (27.5)
18	1.625 (41.3)	1.438 (36.5)	.790 (20.1)	.696 (17.7)	1.125 (28.6)	1.2500-18 NEF	.206 (5.2)	.125 (3.2)	1.259 (32.0)	1.208 (30.7)
20	1.812 (46.0)	1.562 (39.7)	1.009 (25.7)	.884 (22.5)	1.250 (31.8)	1.3750-18 NEF	.081 (2.1)	.250 (6.4)	1.384 (35.2)	1.333 (33.9)
22	1.938 (49.2)	1.688 (42.9)	1.009 (25.7)	.884 (22.5)	1.375 (34.9)	1.5000-18 NEF	.081 (2.1)	.250 (6.4)	1.507 (38.3)	1.459 (37.1)
24	2.062 (52.4)	1.812 (46.0)	1.042 (26.5)	.917 (23.3)	1.500 (38.1)	1.6250-18 NEF	.048 (1.2)	.250 (6.4)	1.634 (41.5)	1.575 (40.0)

Dimensions are in inches (mm). † Max panel thickness applies only to rear mount applications to ensure proper coupling clearance.



Panel Cutout

Rev. 2203