

MS3110 Connector Type Datasheet

HM Series • MIL-DTL-26482 Series 1 Type Connectors



HM00 F 14-18 S N - 03

- 1 **BASIC PART NUMBER**
HM00 Wall mount receptacle w/ integrated backshell
- 2 **MATERIAL & FINISH**
F Aluminum, olive drab cadmium
- 3 **SHELL SIZE & INSERT ARRANGEMENT**
See Insert Arrangement Selection table, p. H-9
- 4 **CONTACT STYLE**
P Pin
S Socket
- 5 **INSERT ROTATION**
N Normal or W, X, Y, Z, see p. H-9 for availability
- 6 **OPTIONAL ACCESSORY KIT (OMIT FOR NONE)**
02 Protective cover + mounting gasket
03 02 kit + mounting bracket + sealing screws

HM00 Cross Reference & Compatibility

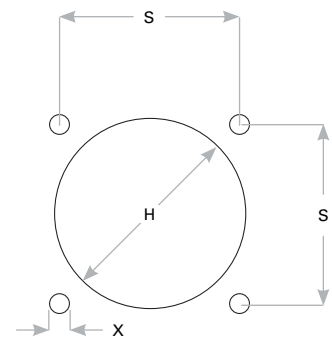
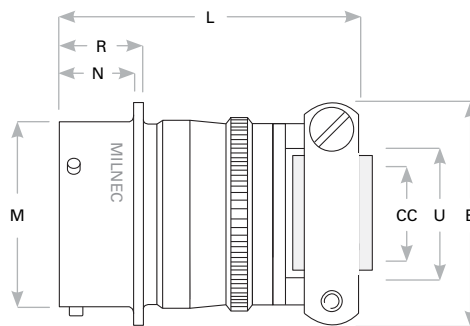
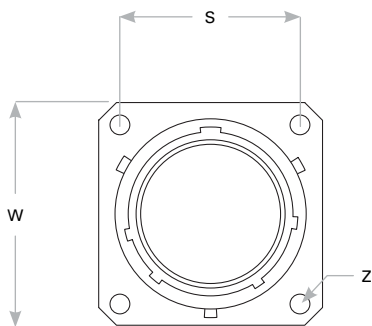
Compatible Brands	Equivalent	Mates
MIL-DTL-26482 Series 1	MS3110	MS3116
Amphenol	PT00	PT06, PT08
Array	PW00	PW06, PW08
ITT Cannon	KPT00	KPT06, KPT08
Souriau	85100	85106, 85108

Note: See part builder (p. H-8) for additional kit options.

Receptacle Dimensions

Shell Size	W	Z	L	R	N	M	B	U	CC Cable Clearance	S	X	H
8	.812 (20.6)	.120 (3.0)	1.922 (48.8)	.493 (12.5)	.431 (10.9)	.473 (12.0)	.812 (20.6)	.240 (6.1)	.125 (3.2)	.594 (15.1)	.120 (3.1)	.449 (11.4)
10	.938 (23.8)	.120 (3.0)	1.922 (48.8)	.493 (12.5)	.431 (10.9)	.590 (15.0)	.875 (22.2)	.302 (7.7)	.188 (4.8)	.719 (18.3)	.120 (3.1)	.573 (14.6)
12	1.031 (26.2)	.120 (3.0)	1.922 (48.8)	.493 (12.5)	.431 (10.9)	.750 (19.1)	1.000 (25.4)	.428 (10.9)	.312 (7.9)	.812 (20.6)	.120 (3.1)	.699 (17.8)
14	1.125 (28.6)	.120 (3.0)	1.922 (48.8)	.493 (12.5)	.431 (10.9)	.875 (22.2)	1.125 (28.6)	.552 (14.0)	.375 (9.5)	.906 (23.0)	.120 (3.1)	.823 (20.9)
16	1.219 (31.0)	.120 (3.0)	2.047 (52.0)	.493 (12.5)	.431 (10.9)	1.000 (25.4)	1.188 (30.2)	.615 (15.6)	.500 (12.7)	.969 (24.6)	.120 (3.1)	.949 (24.1)
18	1.312 (33.3)	.120 (3.0)	2.078 (52.8)	.493 (12.5)	.431 (10.9)	1.125 (28.6)	1.438 (36.5)	.740 (18.8)	.625 (15.9)	1.062 (27.0)	.120 (3.1)	1.073 (27.3)
20	1.438 (36.5)	.120 (3.0)	2.344 (59.5)	.650 (16.5)	.556 (14.1)	1.250 (31.8)	1.438 (36.5)	.740 (18.8)	.625 (15.9)	1.156 (29.4)	.120 (3.1)	1.199 (30.5)
22	1.562 (39.7)	.120 (3.0)	2.344 (59.5)	.650 (16.5)	.556 (14.1)	1.375 (34.9)	1.625 (41.3)	.928 (23.6)	.750 (19.1)	1.250 (31.8)	.120 (3.1)	1.323 (33.6)
24	1.688 (42.9)	.147 (3.7)	2.406 (61.1)	.683 (17.3)	.589 (15.0)	1.500 (38.1)	1.719 (43.7)	.990 (25.1)	.800 (20.3)	1.375 (34.9)	.147 (3.7)	1.449 (36.8)

Dimensions are in inches (mm). Not recommended for rear panel installations.



Front Mount Panel Cutout

Rev. 1825