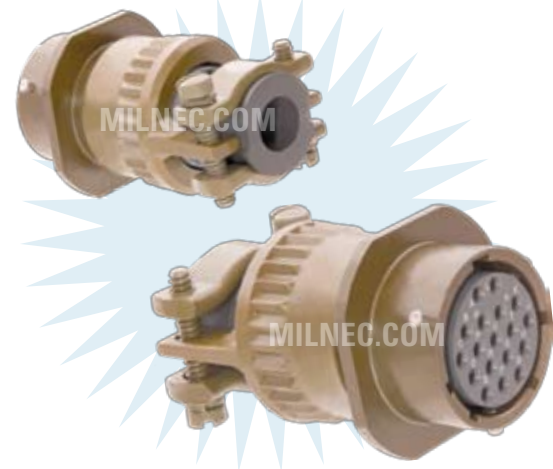


Cable Mount Receptacle

HM Series • MIL-DTL-26482 Series 1 Type Connectors

HM01 F 14-18 S N - 02

- 1 **BASIC PART NUMBER**
HM01 Cable mount recept. w/ integrated backshell
- 2 **MATERIAL & FINISH**
F Aluminum, olive drab cadmium
- 3 **SHELL SIZE & INSERT ARRANGEMENT**
See Insert Arrangement Selection table, p. H-9
- 4 **CONTACT STYLE**
P Pin
S Socket
- 5 **INSERT ROTATION**
N Normal or W, X, Y, Z, see p. H-9 for availability
- 6 **OPTIONAL ACCESSORY KIT (OMIT FOR NONE)**
02 Protective cover



Note: See part builder (p. H-8) for additional kit options.

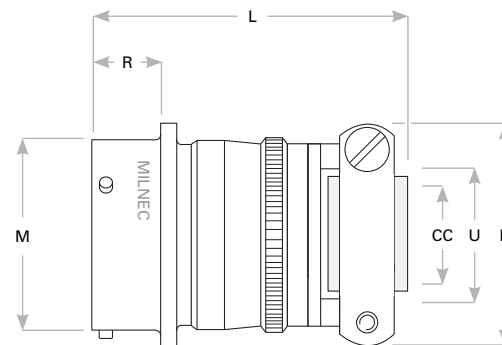
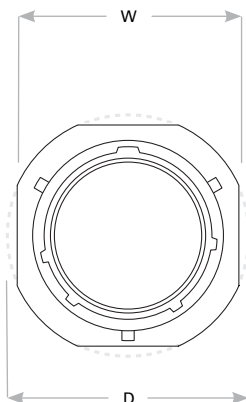
HM01 Cross Reference & Compatibility

Compatible Brands	Equivalent	Mates
MIL-DTL-26482 Series 1	MS3111	MS3116
Amphenol	PT01	PT06, PT08
Array	PW01	PW06, PW08
ITT Cannon	KPT01	KPT06, KPT08
Souriau	85101	85106, 85108

Receptacle Dimensions

Shell Size	W	D	L	R	M	B	U	CC Cable Clearance
8	.812 (20.6)	.938 (23.8)	1.922 (48.8)	.400 (10.2)	.473 (12.0)	.812 (20.6)	.240 (6.1)	.125 (3.2)
10	.938 (23.8)	1.062 (27.0)	1.922 (48.8)	.400 (10.2)	.590 (15.0)	.875 (22.2)	.302 (7.7)	.188 (4.8)
12	1.031 (26.2)	1.156 (29.4)	1.922 (48.8)	.400 (10.2)	.750 (19.1)	1.000 (25.4)	.428 (10.9)	.312 (7.9)
14	1.125 (28.6)	1.250 (31.8)	1.922 (48.8)	.400 (10.2)	.875 (22.2)	1.125 (28.6)	.552 (14.0)	.375 (9.5)
16	1.219 (31.0)	1.344 (34.1)	2.047 (52.0)	.400 (10.2)	1.000 (25.4)	1.188 (30.2)	.615 (15.6)	.500 (12.7)
18	1.312 (33.3)	1.438 (36.5)	2.078 (52.8)	.400 (10.2)	1.125 (28.6)	1.438 (36.5)	.740 (18.8)	.625 (15.9)
20	1.438 (36.5)	1.562 (39.7)	2.344 (59.5)	.535 (13.6)	1.250 (31.8)	1.438 (36.5)	.740 (18.8)	.625 (15.9)
22	1.562 (39.7)	1.688 (42.9)	2.344 (59.5)	.535 (13.6)	1.375 (34.9)	1.625 (41.3)	.928 (23.6)	.750 (19.1)
24	1.688 (42.9)	1.812 (46.0)	2.406 (61.1)	.568 (14.4)	1.500 (38.1)	1.719 (43.7)	.990 (25.1)	.800 (20.3)

Dimensions are in inches (mm).



Rev. 1301.1