

# Box Mount Recept. With PC Tails

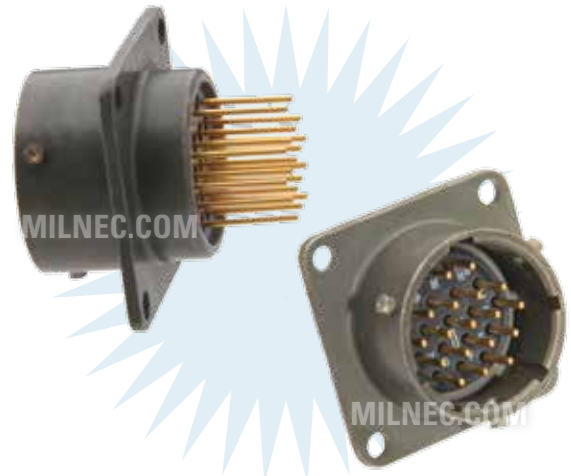
HM Series • MIL-DTL-26482 Series 1 Type Connectors

## HM02 F 14-19 X N - 03

- 1 **BASIC PART NUMBER**  
HM02 Box mount receptacle
- 2 **MATERIAL & FINISH**  
F Aluminum, olive drab cadmium  
N\* Aluminum, electroless nickel
- 3 **SHELL SIZE & INSERT ARRANGEMENT**  
See Insert Arrangement Selection table, p. H-9
- 4 **CONTACT STYLE**  
X PC tail pin  
Y PC tail socket
- 5 **INSERT ROTATION**  
N Normal or W, X, Y, Z, see p. H-9 for availability
- 6 **OPTIONAL ACCESSORY KIT (OMIT FOR NONE)**  
02 Protective cover + mounting gasket  
03 02 kit + mounting bracket + sealing screws

\* Please consult an authorized distributor for lead time and minimum quantity requirements.

**Note:** See part builder (p. H-8) for additional kit options.



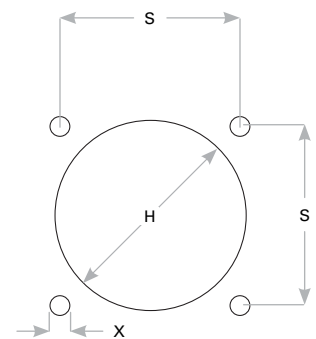
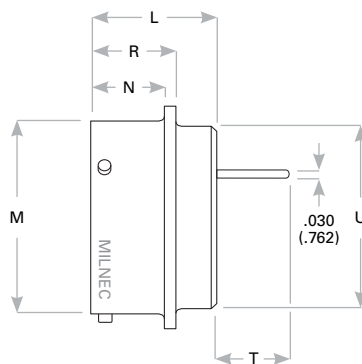
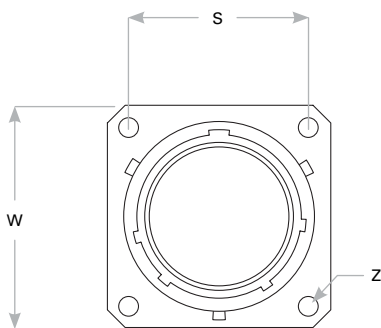
### HM02 Cross Reference & Compatibility

Compatible Brands	Equivalent	Mates
<b>MIL-DTL-26482 Series 1</b>	MS3112	MS3116
<b>Amphenol</b>	PT02	PT06, PT08
<b>Array</b>	PW02	PW06, PW08
<b>ITT Cannon</b>	KPT02	KPT06, KPT08
<b>Souriau</b>	85102	85106, 85108

### Receptacle Dimensions

Shell Size	W +.011 -.010	Z ±.005	L Max	R +.021 -.010	N +.010 -.000	M +.001 -.005	T +.040 -.050	U Max	S	X	H
8	.812 (20.6)	.120 (3.0)	.825 (21.0)	.493 (12.5)	.431 (10.9)	.473 (12.0)	.380 (9.7)	.449 (11.4)	.594 (15.1)	.120 (3.1)	.449 (11.4)
10	.938 (23.8)	.120 (3.0)	.825 (21.0)	.493 (12.5)	.431 (10.9)	.590 (15.0)	.380 (9.7)	.573 (14.6)	.719 (18.3)	.120 (3.1)	.573 (14.6)
12	1.031 (26.2)	.120 (3.0)	.825 (21.0)	.493 (12.5)	.431 (10.9)	.750 (19.1)	.380 (9.7)	.699 (17.8)	.812 (20.6)	.120 (3.1)	.699 (17.8)
14	1.125 (28.6)	.120 (3.0)	.825 (21.0)	.493 (12.5)	.431 (10.9)	.875 (22.2)	.380 (9.7)	.823 (20.9)	.906 (23.0)	.120 (3.1)	.823 (20.9)
16	1.219 (31.0)	.120 (3.0)	.825 (21.0)	.493 (12.5)	.431 (10.9)	1.000 (25.4)	.380 (9.7)	.949 (24.1)	.969 (24.6)	.120 (3.1)	.949 (24.1)
18	1.312 (33.3)	.120 (3.0)	.825 (21.0)	.493 (12.5)	.431 (10.9)	1.125 (28.6)	.380 (9.7)	1.073 (27.3)	1.062 (27.0)	.120 (3.1)	1.073 (27.3)
20	1.438 (36.5)	.120 (3.0)	1.076 (27.3)	.650 (16.5)	.556 (14.1)	1.250 (31.8)	.286 (7.3)	1.199 (30.5)	1.156 (29.4)	.120 (3.1)	1.199 (30.5)
22	1.562 (39.7)	.120 (3.0)	1.076 (27.3)	.650 (16.5)	.556 (14.1)	1.375 (34.9)	.286 (7.3)	1.323 (33.6)	1.250 (31.8)	.120 (3.1)	1.323 (33.6)
24	1.688 (42.9)	.147 (3.7)	1.109 (28.2)	.683 (17.3)	.589 (15.0)	1.500 (38.1)	.253 (6.4)	1.449 (36.8)	1.375 (34.9)	.147 (3.7)	1.449 (36.8)

Dimensions are in inches (mm). Not recommended for rear panel installations.



**Front Mount  
Panel Cutout**

Rev. 3219