

# MS3112 Connector Type Datasheet

HM Series • MIL-DTL-26482 Series 1 Type Connectors

## HM02 F 14-19 S W - 03

- 1 **BASIC PART NUMBER**  
HM02 Box mount receptacle
- 2 **MATERIAL & FINISH**  
F Aluminum, olive drab cadmium
- 3 **SHELL SIZE & INSERT ARRANGEMENT**  
See Insert Arrangement Selection table, p. H-9
- 4 **CONTACT STYLE**  
P Pin  
S Socket
- 5 **INSERT ROTATION**  
N Normal or W, X, Y, Z, see p. H-9 for availability
- 6 **OPTIONAL ACCESSORY KIT (OMIT FOR NONE)**  
02 Protective cover + mounting gasket  
03 02 kit + mounting bracket + sealing screws

**Note:** See part builder (p. H-8) for additional kit options.



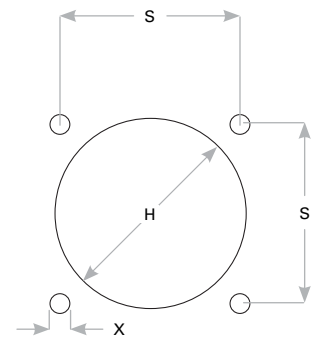
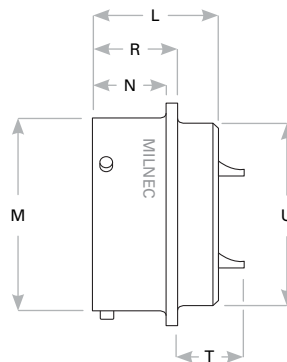
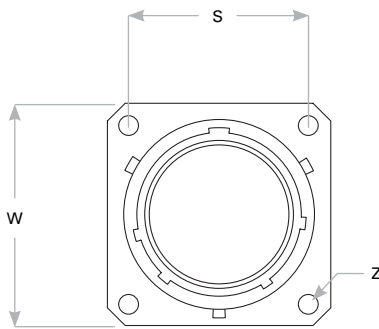
### HM02 Cross Reference & Compatibility

Compatible Brands	Equivalent	Mates
MIL-DTL-26482 Series 1	MS3112	MS3116
Amphenol	PT02	PT06, PT08
Array	PW02	PW06, PW08
ITT Cannon	KPT02	KPT06, KPT08
Souriau	85102	85106, 85108

### Receptacle Dimensions

Shell Size	W	Z	L	R	N	M	T	U	S	X	H
8	.812 (20.6)	.120 (3.0)	.825 (21.0)	.493 (12.5)	.431 (10.9)	.473 (12.0)	.465 (11.8)	.449 (11.4)	.594 (15.1)	.120 (3.1)	.449 (11.4)
10	.938 (23.8)	.120 (3.0)	.825 (21.0)	.493 (12.5)	.431 (10.9)	.590 (15.0)	.465 (11.8)	.573 (14.6)	.719 (18.3)	.120 (3.1)	.573 (14.6)
12	1.031 (26.2)	.120 (3.0)	.825 (21.0)	.493 (12.5)	.431 (10.9)	.750 (19.1)	.465 (11.8)	.699 (17.8)	.812 (20.6)	.120 (3.1)	.699 (17.8)
14	1.125 (28.6)	.120 (3.0)	.825 (21.0)	.493 (12.5)	.431 (10.9)	.875 (22.2)	.465 (11.8)	.823 (20.9)	.906 (23.0)	.120 (3.1)	.823 (20.9)
16	1.219 (31.0)	.120 (3.0)	.825 (21.0)	.493 (12.5)	.431 (10.9)	1.000 (25.4)	.465 (11.8)	.949 (24.1)	.969 (24.6)	.120 (3.1)	.949 (24.1)
18	1.312 (33.3)	.120 (3.0)	.825 (21.0)	.493 (12.5)	.431 (10.9)	1.125 (28.6)	.465 (11.8)	1.073 (27.3)	1.062 (27.0)	.120 (3.1)	1.073 (27.3)
20	1.438 (36.5)	.120 (3.0)	1.076 (27.3)	.650 (16.5)	.556 (14.1)	1.250 (31.8)	.526 (13.4)	1.199 (30.5)	1.156 (29.4)	.120 (3.1)	1.199 (30.5)
22	1.562 (39.7)	.120 (3.0)	1.076 (27.3)	.650 (16.5)	.556 (14.1)	1.375 (34.9)	.526 (13.4)	1.323 (33.6)	1.250 (31.8)	.120 (3.1)	1.323 (33.6)
24	1.688 (42.9)	.147 (3.7)	1.109 (28.2)	.683 (17.3)	.589 (15.0)	1.500 (38.1)	.493 (12.5)	1.449 (36.8)	1.375 (34.9)	.147 (3.7)	1.449 (36.8)

Dimensions are in inches (mm). Not recommended for rear panel installations.



Front Mount  
Panel Cutout