

# Jam Nut Recept. With PC Tails

HM Series • MIL-DTL-26482 Series 1 Type Connectors



## HM07 N 12-10 Y N - 02

- 1 **BASIC PART NUMBER**  
HM07 Jam nut receptacle (box mount)
- 2 **MATERIAL & FINISH**  
F Aluminum, olive drab cadmium (71-5337x type)  
N\* Aluminum, electroless nickel (91-5337x type)
- 3 **SHELL SIZE & INSERT ARRANGEMENT**  
See Insert Arrangement Selection table, p. H-9
- 4 **CONTACT STYLE**  
X PC tail pin  
Y PC tail socket
- 5 **INSERT ROTATION**  
N Normal or W, X, Y, Z, see p. H-9 for availability
- 6 **OPTIONAL ACCESSORY KIT (OMIT FOR NONE)**  
02 Protective cover

\* Please consult an authorized distributor for lead time and minimum quantity requirements.

### HM07 Compatibility

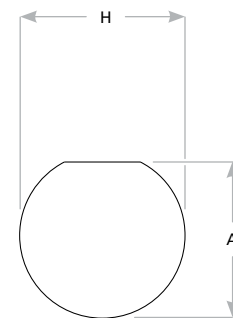
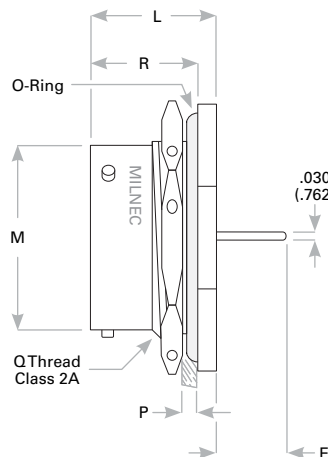
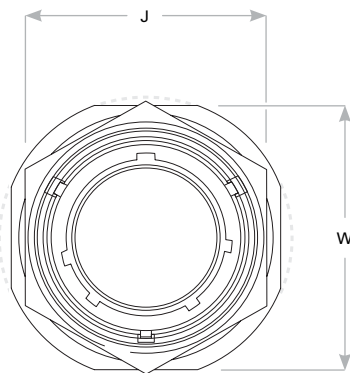
Compatible Brands	Equivalent	Mates
<b>MIL-DTL-26482 Series 1</b>		MS3116
Amphenol	71-5337x-xxx, 91-5337x-xxx	PT06, PT06SE, PT08
Array		PW06, PW08
ITT Cannon		KPT06, KPT08
Souriau		85106, 85108

**Note:** See part builder (p. H-8) for additional kit options.

### Receptacle Dimensions

Shell Size	W ±.010	J +.017 -.016	L ±.010	R ±.010	M +.001 -.005	Q Thread Class 2A	E +.025 -.035	P Max Rear Panel†	H	A
8	.938 (23.8)	.750 (19.1)	.821 (20.9)	.696 (17.7)	.473 (12.0)	.5625-24 NEF	.376 (9.6)	.125 (3.2)	.572 (14.5)	.542 (13.8)
10	1.062 (27.0)	.875 (22.2)	.821 (20.9)	.696 (17.7)	.590 (15.0)	.6875-24 NEF	.376 (9.6)	.125 (3.2)	.697 (17.7)	.669 (17.0)
12	1.250 (31.8)	1.062 (27.0)	.821 (20.9)	.696 (17.7)	.750 (19.1)	.8750-20 UNEF	.376 (9.6)	.125 (3.2)	.884 (22.5)	.830 (21.1)
14	1.375 (34.9)	1.188 (30.2)	.821 (20.9)	.696 (17.7)	.875 (22.2)	1.0000 20 UNEF	.376 (9.6)	.125 (3.2)	1.007 (25.6)	.955 (24.3)
16	1.500 (38.1)	1.312 (33.3)	.821 (20.9)	.696 (17.7)	1.000 (25.4)	1.1250-18 NEF	.376 (9.6)	.125 (3.2)	1.134 (28.8)	1.084 (27.5)
18	1.625 (41.3)	1.438 (36.5)	.821 (20.9)	.696 (17.7)	1.125 (28.6)	1.2500-18 NEF	.376 (9.6)	.125 (3.2)	1.259 (32.0)	1.208 (30.7)
20	1.812 (46.0)	1.562 (39.7)	1.040 (26.4)	.884 (22.5)	1.250 (31.8)	1.3750-18 NEF	.367 (9.3)	.250 (6.4)	1.384 (35.2)	1.333 (33.9)
22	1.938 (49.2)	1.688 (42.9)	1.040 (26.4)	.884 (22.5)	1.375 (34.9)	1.5000-18 NEF	.367 (9.3)	.250 (6.4)	1.507 (38.3)	1.459 (37.1)
24	2.062 (52.4)	1.812 (46.0)	1.073 (27.3)	.917 (23.3)	1.500 (38.1)	1.6250-18 NEF	.334 (8.5)	.250 (6.4)	1.634 (41.5)	1.575 (40.0)

Dimensions are in inches (mm). † Max panel thickness applies only to rear mount applications to ensure proper coupling clearance.



Panel Cutout