

Jam Nut Receptacle

HM Series • MIL-DTL-26482 Series 1 Type Connectors



HM07 F 14-18 S N - 02

- 1 **BASIC PART NUMBER**
HM07 Jam nut recept. w/ integrated backshell
- 2 **MATERIAL & FINISH**
F Aluminum, olive drab cadmium
- 3 **SHELL SIZE & INSERT ARRANGEMENT**
See Insert Arrangement Selection table, p. H-9
- 4 **CONTACT STYLE**
P Pin
S Socket
- 5 **INSERT ROTATION**
N Normal or W, X, Y, Z, see p. H-9 for availability
- 6 **OPTIONAL ACCESSORY KIT (OMIT FOR NONE)**
02 Protective cover

HM07 Cross Reference & Compatibility

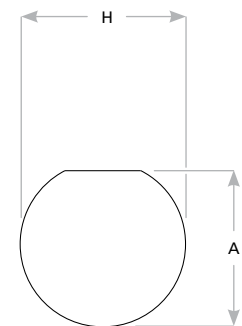
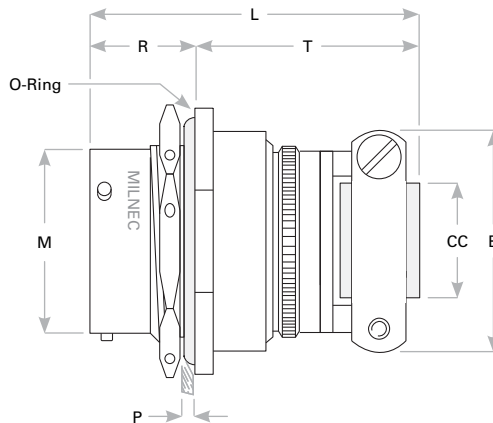
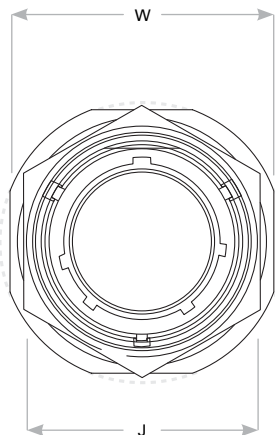
Compatible Brands	Equivalent	Mates
MIL-DTL-26482 Series 1	MS3114	MS3116
Amphenol	PT07	PT06, PT08
Array	PW07	PW06, PW08
ITT Cannon	KPT07	KPT06, KPT08
Souriau	85107	85106, 85108

Note: See part builder (p. H-8) for additional kit options.

Receptacle Dimensions

Shell Size	W	J	L	R	M	T	B	CC Cable Clearance	P Max Rear Panel†	H	A
8	.938 (23.8)	.750 (19.1)	1.758 (44.7)	.696 (17.7)	.473 (11.9)	1.062 (27.0)	0.781 (19.8)	0.250 (6.4)	.125 (3.2)	.572 (14.5)	.542 (13.8)
10	1.062 (27.0)	.875 (22.2)	1.758 (44.7)	.696 (17.7)	.590 (15.0)	1.062 (27.0)	0.844 (21.4)	0.312 (7.9)	.125 (3.2)	.697 (17.7)	.669 (17.0)
12	1.250 (31.8)	1.062 (27.0)	1.758 (44.7)	.696 (17.7)	.750 (19.1)	1.062 (27.0)	0.969 (24.6)	0.438 (11.1)	.125 (3.2)	.884 (22.5)	.830 (21.1)
14	1.375 (34.9)	1.188 (30.2)	1.758 (44.7)	.696 (17.7)	.875 (22.2)	1.062 (27.0)	1.094 (27.8)	0.562 (14.3)	.125 (3.2)	1.007 (25.6)	.955 (24.3)
16	1.500 (38.1)	1.312 (33.3)	1.884 (47.9)	.696 (17.7)	1.000 (25.4)	1.188 (30.2)	1.156 (29.4)	0.625 (15.9)	.125 (3.2)	1.134 (28.8)	1.084 (27.5)
18	1.625 (41.3)	1.438 (36.5)	1.884 (47.9)	.696 (17.7)	1.125 (28.6)	1.188 (30.2)	1.406 (35.7)	0.750 (19.1)	.125 (3.2)	1.259 (32.0)	1.208 (30.7)
20	1.812 (46.0)	1.562 (39.7)	2.134 (54.2)	.884 (22.4)	1.250 (31.8)	1.250 (31.8)	1.406 (35.7)	0.750 (19.1)	.250 (6.4)	1.384 (35.2)	1.333 (33.9)
22	1.938 (49.2)	1.688 (42.9)	2.134 (54.2)	.884 (22.4)	1.375 (35.0)	1.250 (31.8)	1.594 (40.5)	0.938 (23.8)	.250 (6.4)	1.507 (38.3)	1.459 (37.1)
24	2.062 (52.4)	1.816 (46.1)	2.167 (55.1)	.917 (23.3)	1.500 (38.1)	1.250 (31.8)	1.594 (40.5)	1.000 (25.4)	.250 (6.4)	1.634 (41.5)	1.575 (40.0)

Dimensions are in inches (mm). † Max panel thickness applies only to rear mount applications to ensure proper coupling clearance.



Panel Cutout

Rev. 1301.1