

MS3116 Connector Type Datasheet

HM Series • MIL-DTL-26482 Series 1 Type Connectors



HM06 F 14-19 P N - 01

- 1 **BASIC PART NUMBER**
HM06 Straight plug w/ integrated backshell
- 2 **MATERIAL & FINISH**
F Aluminum, olive drab cadmium
- 3 **SHELL SIZE & INSERT ARRANGEMENT**
See Insert Arrangement Selection table, p. H-9
- 4 **CONTACT STYLE**
P Pin
S Socket
- 5 **INSERT ROTATION**
N Normal or W, X, Y, Z, see p. H-9 for availability
- 6 **OPTIONAL ACCESSORY KIT (OMIT FOR NONE)**
01 Protective cover

HM06 Cross Reference & Compatibility

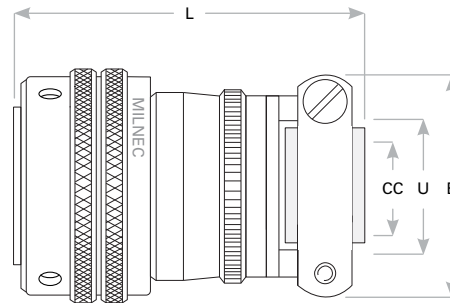
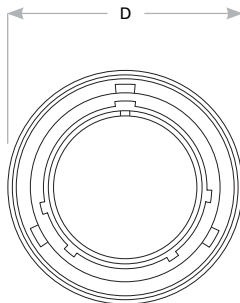
Compatible Brands	Equivalents	Mates
MIL-DTL-26482 Series 1	MS3116	MS3110, MS3111, MS3112, MS3114
Amphenol	PT06	PT00, PT01, PT02, PT07
Array	PW06	PW00, PW01, PW02, PW07
ITT Cannon	KPT06	KPT00, KPT01, KPT02, KPT07
Souriau	85106	85100, 85101, 85102, 85107

Note: See part builder (p. H-8) for additional kit options.

Plug Dimensions

Shell Size	D	L	B	U	CC Cable Clearance
8	.750 (19.1)	1.906 (48.4)	.812 (20.6)	.240 (6.1)	.125 (3.2)
10	.859 (21.8)	1.906 (48.4)	.875 (22.2)	.302 (7.7)	.188 (4.8)
12	1.013 (25.7)	1.906 (48.4)	1.000 (25.4)	.428 (10.9)	.312 (7.9)
14	1.156 (29.4)	1.906 (48.4)	1.125 (28.6)	.552 (14.0)	.375 (9.5)
16	1.281 (32.5)	2.047 (52.0)	1.188 (30.2)	.615 (15.6)	.500 (12.7)
18	1.319 (33.5)	2.078 (52.8)	1.438 (36.5)	.740 (18.8)	.625 (15.9)
20	1.531 (38.9)	2.250 (57.2)	1.438 (36.5)	.740 (18.8)	.625 (15.9)
22	1.656 (42.1)	2.250 (57.2)	1.625 (41.3)	.928 (23.6)	.750 (19.1)
24	1.776 (45.1)	2.312 (58.7)	1.750 (44.5)	.990 (25.1)	.800 (20.3)

Dimensions are in inches (mm).



Rev. 1825