

90° Environmental Backshell

BM Series • MIL-DTL-26482 Series 2 Type Connectors



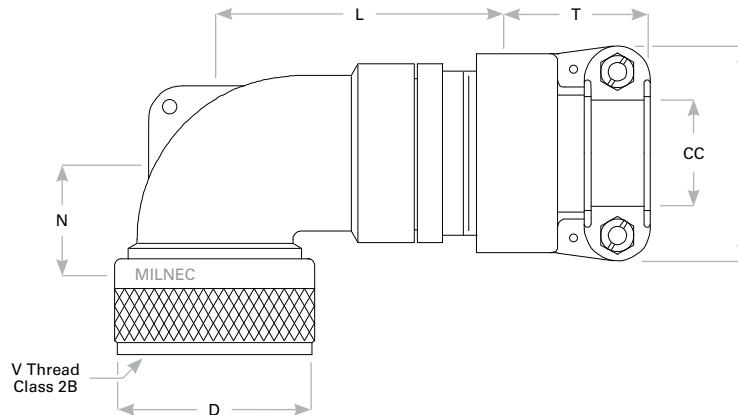
BME4 - 009 N

- 1 **BASIC PART NUMBER**
BME4 90° environmental backshell
- 2 **DASH NO.**
See Backshell Dimensions table below
- 3 **MATERIAL & FINISH**
N Aluminum, electroless nickel
W Aluminum, olive drab cadmium

Note: See part builder (p. J-11) for additional kit options.

BME4 Compatibility

Compatible Brands	Connectors
MIL-DTL-26482 Series 2	MS3470, MS3471, MS3472, MS3474, MS3475, MS3476
Aero / Conesys	AE770, AE771, AE772, AE774, AE775, AE776
Amphenol / Matrix	MB10, MB11, MB13, MB14, MB16, MB18
Deutsch	AFD50, AFD51, AFD54, AFD56, AFD57, AFD58
Souriau	8526-0, 8526-5, 8526-6, 8526-7



Backshell Dimensions

Dash No.	Shell Size	V Thread Class 2B	N	T	D	B	L	CC Cable Clearance	
								Min	Max
003	8	.500-20 UNF	.666 (16.9)	1.027 (26.1)	.617 (15.7)	.957 (24.3)	1.262 (32.1)	.125 (3.2)	.250 (6.4)
004	10	.625-24 UNEF	.761 (19.3)	1.027 (26.1)	.734 (18.6)	.957 (24.3)	1.982 (50.3)	.125 (3.2)	.312 (7.9)
005	10	.625-24 UNEF	.761 (19.3)	1.027 (26.1)	.734 (18.6)	1.145 (29.1)	1.382 (35.1)	.250 (6.4)	.375 (9.5)
049	10	.625-24 UNEF	1.516 (38.5)	1.027 (26.1)	.734 (18.6)	1.145 (29.1)	2.002 (50.9)	.250 (6.4)	.437 (11.1)
006	12	.750-20 UNEF	.766 (19.5)	1.027 (26.1)	.858 (21.8)	.957 (24.3)	2.002 (50.9)	.125 (3.2)	.312 (7.9)
007	12	.750-20 UNEF	.766 (19.5)	1.027 (26.1)	.858 (21.8)	1.145 (29.1)	2.002 (50.9)	.250 (6.4)	.437 (11.1)
008	12	.750-20 UNEF	.766 (19.5)	1.027 (26.1)	.858 (21.8)	1.332 (33.8)	1.397 (35.5)	.350 (8.9)	.500 (12.7)
071	12	.750-20 UNEF	1.811 (46.0)	1.027 (26.1)	.858 (21.8)	1.332 (33.8)	2.162 (54.9)	.350 (8.9)	.625 (15.9)
074	14	.875-20 UNEF	.866 (22.0)	1.027 (26.1)	.984 (25.0)	.957 (24.3)	2.072 (52.6)	.125 (3.2)	.312 (7.9)
009	14	.875-20 UNEF	.866 (22.0)	1.027 (26.1)	.984 (25.0)	1.145 (29.1)	2.072 (52.6)	.250 (6.4)	.437 (11.1)
010	14	.875-20 UNEF	.866 (22.0)	1.027 (26.1)	.984 (25.0)	1.332 (33.8)	1.717 (43.6)	.350 (8.9)	.575 (14.6)
050	14	.875-20 UNEF	1.891 (48.0)	1.059 (26.9)	.984 (25.0)	1.551 (39.4)	2.332 (59.2)	.500 (12.7)	.750 (19.1)

Dimensions are in inches (mm).

(Continued on next page)

Rev. 1806

Backshell Dimensions (Continued from previous page)

Dash No.	Shell Size	V Thread Class 2B	N	T	D	B	L	CC Cable Clearance	
								Min	Max
075	16	1.000-20 UNEF	1.051 (26.7)	1.027 (26.1)	1.112 (28.2)	.957 (24.3)	2.162 (54.9)	.125 (3.2)	.312 (7.9)
011	16	1.000-20 UNEF	1.051 (26.7)	1.027 (26.1)	1.112 (28.2)	1.145 (29.1)	2.162 (54.9)	.250 (6.4)	.437 (11.1)
040	16	1.000-20 UNEF	1.051 (26.7)	1.027 (26.1)	1.112 (28.2)	1.332 (33.8)	2.162 (54.9)	.350 (8.9)	.625 (15.9)
012	16	1.000-20 UNEF	1.051 (26.7)	1.059 (26.9)	1.112 (28.2)	1.551 (39.4)	1.807 (45.9)	.500 (12.7)	.700 (17.8)
051	16	1.000-20 UNEF	2.041 (51.8)	1.156 (29.4)	1.112 (28.2)	1.770 (45.0)	2.442 (62.0)	.625 (15.9)	.937 (23.8)
041	18	1.062-18 UNEF	1.141 (29.0)	1.027 (26.1)	1.218 (30.9)	.957 (24.3)	2.332 (59.2)	.125 (3.2)	.312 (7.9)
042	18	1.062-18 UNEF	1.141 (29.0)	1.027 (26.1)	1.218 (30.9)	1.145 (29.1)	2.332 (59.2)	.250 (6.4)	.437 (11.1)
013	18	1.062-18 UNEF	1.141 (29.0)	1.027 (26.1)	1.218 (30.9)	1.332 (33.8)	2.332 (59.2)	.350 (8.9)	.625 (15.9)
052	18	1.062-18 UNEF	1.141 (29.0)	1.059 (26.9)	1.218 (30.9)	1.551 (39.4)	2.332 (59.2)	.500 (12.7)	.750 (19.1)
014	18	1.062-18 UNEF	1.141 (29.0)	1.156 (29.4)	1.218 (30.9)	1.770 (45.0)	1.982 (50.3)	.625 (15.9)	.779 (19.8)
072	18	1.062-18 UNEF	2.051 (52.1)	1.156 (29.4)	1.218 (30.9)	1.770 (45.0)	2.442 (62.0)	.625 (15.9)	.937 (23.8)
043	20	1.188-18 UNEF	1.141 (29.0)	1.027 (26.1)	1.345 (34.2)	1.145 (29.1)	2.332 (59.2)	.250 (6.4)	.437 (11.1)
015	20	1.188-18 UNEF	1.141 (29.0)	1.027 (26.1)	1.345 (34.2)	1.332 (33.8)	2.332 (59.2)	.350 (8.9)	.625 (15.9)
054	20	1.188-18 UNEF	1.141 (29.0)	1.059 (26.9)	1.345 (34.2)	1.551 (39.4)	2.332 (59.2)	.500 (12.7)	.750 (19.1)
016	20	1.188-18 UNEF	1.141 (29.0)	1.156 (29.4)	1.345 (34.2)	1.770 (45.0)	1.982 (50.3)	.625 (15.9)	.904 (23.0)
055	20	1.188-18 UNEF	2.141 (54.4)	1.375 (34.9)	1.345 (34.2)	2.113 (53.7)	2.612 (66.3)	.875 (22.2)	1.250 (31.8)
044	22	1.313-18 UNEF	1.291 (32.8)	1.027 (26.1)	1.468 (37.3)	.957 (24.3)	2.442 (62.0)	.125 (3.2)	.312 (7.9)
045	22	1.313-18 UNEF	1.291 (32.8)	1.027 (26.1)	1.468 (37.3)	1.145 (29.1)	2.442 (62.0)	.250 (6.4)	.437 (11.1)
056	22	1.313-18 UNEF	1.291 (32.8)	1.027 (26.1)	1.468 (37.3)	1.332 (33.8)	2.442 (62.0)	.350 (8.9)	.625 (15.9)
017	22	1.313-18 UNEF	1.291 (32.8)	1.059 (26.9)	1.468 (37.3)	1.551 (39.4)	2.442 (62.0)	.500 (12.7)	.750 (19.1)
057	22	1.313-18 UNEF	1.291 (32.8)	1.156 (29.4)	1.468 (37.3)	1.770 (45.0)	2.442 (62.0)	.625 (15.9)	.937 (23.8)
018	22	1.313-18 UNEF	1.291 (32.8)	1.375 (34.9)	1.468 (37.3)	2.113 (53.7)	2.087 (53.0)	.875 (22.2)	1.029 (26.1)
058	22	1.313-18 UNEF	2.141 (54.4)	1.375 (34.9)	1.468 (37.3)	2.113 (53.7)	2.612 (66.3)	.875 (22.2)	1.250 (31.8)
046	24	1.438-18 UNEF	1.291 (32.8)	1.027 (26.1)	1.593 (40.5)	1.332 (33.8)	2.442 (62.0)	.350 (8.9)	.625 (15.9)
019	24	1.438-18 UNEF	1.291 (32.8)	1.059 (26.9)	1.593 (40.5)	1.551 (39.4)	2.442 (62.0)	.500 (12.7)	.750 (19.1)
059	24	1.438-18 UNEF	1.291 (32.8)	1.156 (29.4)	1.593 (40.5)	1.770 (45.0)	2.442 (62.0)	.625 (15.9)	.937 (23.8)
020	24	1.438-18 UNEF	1.291 (32.8)	1.375 (34.9)	1.593 (40.5)	2.113 (53.7)	2.087 (53.0)	.875 (22.2)	1.114 (28.3)
073	24	1.438-18 UNEF	2.151 (54.6)	1.375 (34.9)	1.593 (40.5)	2.116 (53.7)	2.612 (66.3)	.875 (22.2)	1.250 (31.8)

Dimensions are in inches (mm).

