

BMCD - 14 W - 03

- 1 **BASIC PART NUMBER**
BMCD Stowage receptacle
- 2 **SHELL SIZE**
See Stowage Receptacle Dimensions table below
- 3 **MATERIAL & FINISH**
N Aluminum, electroless nickel
W Aluminum, olive drab cadmium
- 4 **OPTIONAL ACCESSORY KIT (OMIT FOR NONE)**
02 Protective cover + mounting gasket
03 02 kit + mounting bracket + sealing screws



Note: See part builder (p. J-11) for additional kit options.

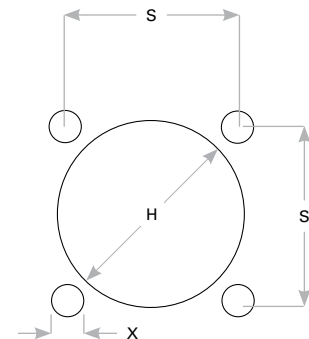
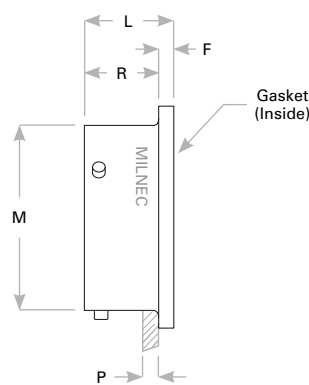
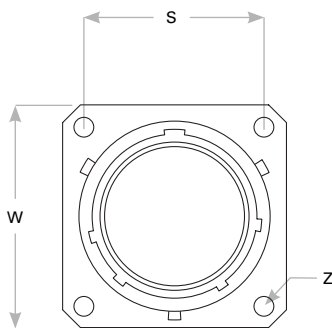
BMCD Compatibility

| Compatible Brands | Plugs |
|------------------------|----------------|
| MIL-DTL-26482 Series 2 | MS3475, MS3476 |
| Aero / Conesys | AE775, AE776 |
| Amphenol / Matrix | MB16, MB18 |
| Deutsch | AFD56, AFD57 |
| Souriau | 8526-5, 8526-6 |

Stowage Receptacle Dimensions

| Shell Size | W | Z | L | R | M | F | P Max Rear Panel† | S | X | H |
|------------|--------------|------------|-------------|-------------|--------------|------------|----------------------|--------------|------------|--------------|
| 8 | .828 (21.0) | .120 (3.0) | .540 (13.8) | .478 (12.2) | .471 (12.0) | .062 (1.6) | .125 (3.2) | .594 (15.1) | .120 (3.1) | .449 (11.4) |
| 10 | .954 (24.2) | .120 (3.0) | .540 (13.8) | .478 (12.2) | .588 (14.9) | .062 (1.6) | .125 (3.2) | .719 (18.3) | .120 (3.1) | .573 (14.6) |
| 12 | 1.047 (26.6) | .120 (3.0) | .540 (13.8) | .478 (12.2) | .748 (19.0) | .062 (1.6) | .125 (3.2) | .812 (20.6) | .120 (3.1) | .699 (17.8) |
| 14 | 1.141 (29.0) | .120 (3.0) | .540 (13.8) | .478 (12.2) | .873 (22.2) | .062 (1.6) | .125 (3.2) | .906 (23.0) | .120 (3.1) | .823 (20.9) |
| 16 | 1.234 (31.3) | .120 (3.0) | .540 (13.8) | .478 (12.2) | .998 (25.3) | .062 (1.6) | .125 (3.2) | .969 (24.6) | .120 (3.1) | .949 (24.1) |
| 18 | 1.328 (33.7) | .120 (3.0) | .540 (13.8) | .478 (12.2) | 1.123 (28.5) | .062 (1.6) | .125 (3.2) | 1.062 (27.0) | .120 (3.1) | 1.073 (27.3) |
| 20 | 1.453 (36.9) | .120 (3.0) | .666 (16.9) | .572 (14.5) | 1.248 (31.7) | .094 (2.4) | .250 (6.4) | 1.156 (29.4) | .120 (3.1) | 1.199 (30.5) |
| 22 | 1.578 (40.1) | .120 (3.0) | .666 (16.9) | .572 (14.5) | 1.373 (34.9) | .094 (2.4) | .250 (6.4) | 1.250 (31.8) | .120 (3.1) | 1.323 (33.6) |
| 24 | 1.703 (43.3) | .147 (3.7) | .699 (17.8) | .605 (15.4) | 1.498 (38.0) | .094 (2.4) | .250 (6.4) | 1.375 (34.9) | .147 (3.7) | 1.449 (36.8) |

Dimensions are in inches (mm). † Max panel thickness applies only to rear mount applications to ensure proper coupling clearance.



Panel Cutout