

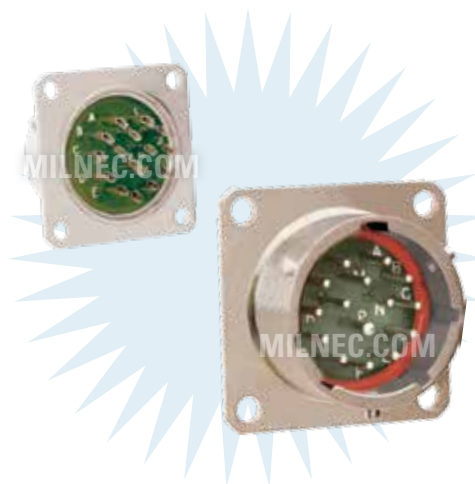
Box Mount Receptacle (Hermetic)

BM Series • MIL-DTL-26482 Series 2 Type Connectors

BM12 H 14-15 P N - 03

- 1 **BASIC PART NUMBER**
BM12 Hermetic box mount receptacle
 Helium leakage 1.0×10^{-6} cc³/sec at 15 psi
- 2 **MATERIAL & FINISH**
H Carbon steel, tin plating over nickel
- 3 **SHELL SIZE & INSERT ARRANGEMENT**
 See Insert Arrangement Selection table, p. J-12
- 4 **CONTACT STYLE**
P Pin, tin plated
G* Pin, gold plated
S* Socket, tin plated
H* Socket, gold plated
- 5 **INSERT ROTATION**
N Normal or W, X, Y, Z, see p. J-12 for availability
- 6 **OPTIONAL ACCESSORY KIT (OMIT FOR NONE)**
02 Protective cover + mounting gasket
03 02 kit + mounting bracket + sealing screws

* Please consult an authorized distributor for lead time and minimum quantity requirements.



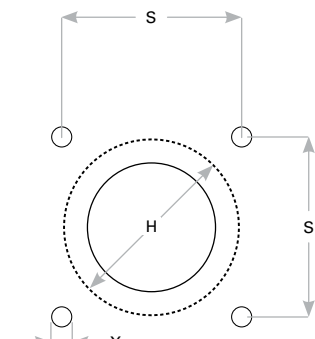
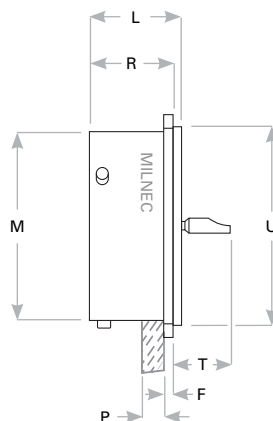
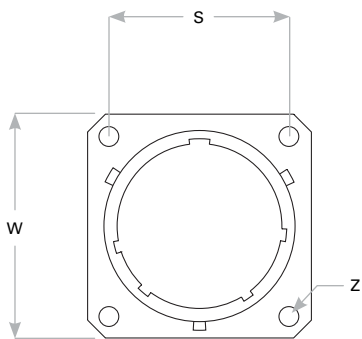
BM12 Compatibility

Compatible Brands	Mates
MIL-DTL-26482 Series 2	MS3475, MS3476
Aero / Conesys	AE775, AE776
Amphenol / Matrix	MB16, MB18
Deutsch	AFD56, AFD57
Souriau	8526-5, 8526-6

Receptacle Dimensions

Shell Size	W	Z	L Max	R	M	F	T	U	P Max Rear Panel†	S	X	H
8	.812 (20.6)	.120 (3.1)	.541 (13.8)	.494 (12.6)	.473 (12.0)	.062 (1.6)	.344 (8.7)	.562 (14.3)	.087 (2.2)	.594 (15.1)	.120 (3.1)	.449 (11.4)
10	.938 (23.8)	.120 (3.1)	.541 (13.8)	.494 (12.6)	.590 (15.0)	.062 (1.6)	.344 (8.7)	.672 (17.1)	.087 (2.2)	.719 (18.3)	.120 (3.1)	.573 (14.6)
12	1.031 (26.2)	.120 (3.1)	.541 (13.8)	.494 (12.6)	.750 (19.1)	.062 (1.6)	.344 (8.7)	.781 (19.8)	.087 (2.2)	.812 (20.6)	.120 (3.1)	.699 (17.8)
14	1.125 (28.6)	.120 (3.1)	.541 (13.8)	.494 (12.6)	.875 (22.2)	.062 (1.6)	.344 (8.7)	.906 (23.0)	.087 (2.2)	.906 (23.0)	.120 (3.1)	.823 (20.9)
16	1.219 (31.0)	.120 (3.1)	.541 (13.8)	.494 (12.6)	1.000 (25.4)	.062 (1.6)	.344 (8.7)	1.031 (26.2)	.087 (2.2)	.969 (24.6)	.120 (3.1)	.949 (24.1)
18	1.312 (33.3)	.120 (3.1)	.541 (13.8)	.494 (12.6)	1.125 (28.6)	.062 (1.6)	.344 (8.7)	1.156 (29.4)	.087 (2.2)	1.062 (27.0)	.120 (3.1)	1.073 (27.3)
20	1.438 (36.5)	.120 (3.1)	.603 (15.3)	.556 (14.1)	1.250 (31.8)	.062 (1.6)	.344 (8.7)	1.250 (31.8)	.212 (5.4)	1.156 (29.4)	.120 (3.1)	1.199 (30.5)
22	1.562 (39.7)	.120 (3.1)	.635 (16.1)	.556 (14.1)	1.375 (34.9)	.062 (1.6)	.377 (9.6)	1.375 (34.9)	.212 (5.4)	1.250 (31.8)	.120 (3.1)	1.323 (33.6)
24	1.688 (42.9)	.147 (3.7)	.667 (16.9)	.588 (14.9)	1.500 (38.1)	.062 (1.6)	.377 (9.6)	1.500 (38.1)	.212 (5.4)	1.375 (34.9)	.147 (3.7)	1.449 (36.8)

Dimensions are in inches (mm). † Max panel thickness applies only to rear mount applications to ensure proper coupling clearance.



Panel Cutout

Rev. 1904