

# Jam Nut Receptacle (Hermetic)

BM Series • MIL-DTL-26482 Series 2 Type Connectors



## BM13 Compatibility

Compatible Brands	Mates
MIL-DTL-26482 Series 2	MS3475, MS3476
Aero / Conesys	AE775, AE776
Amphenol / Matrix	MB16, MB18
Deutsch	AFD56, AFD57
Souriau	8526-5, 8526-6

## BM13 H 12-3 P N - 02

- 1 **BASIC PART NUMBER**  
**BM13** Hermetic jam nut receptacle  
 Helium leakage <math> < 1.0 \times 10^{-6}</math> cc<sup>3</sup>/sec at 15 psi
- 2 **MATERIAL & FINISH**  
**H** Carbon steel, tin plating over nickel
- 3 **SHELL SIZE & INSERT ARRANGEMENT**  
 See Insert Arrangement Selection table, p. J-12
- 4 **CONTACT STYLE**  
**P** Pin, tin plated  
**G\*** Pin, gold plated  
**S\*** Socket, tin plated  
**H\*** Socket, gold plated
- 5 **INSERT ROTATION**  
**N** Normal or W, X, Y, Z, see p. J-12 for availability
- 6 **OPTIONAL ACCESSORY KIT (OMIT FOR NONE)**  
**02** Protective cover

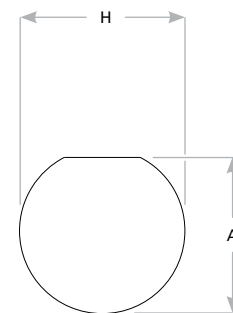
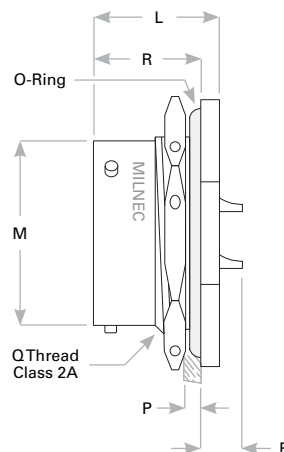
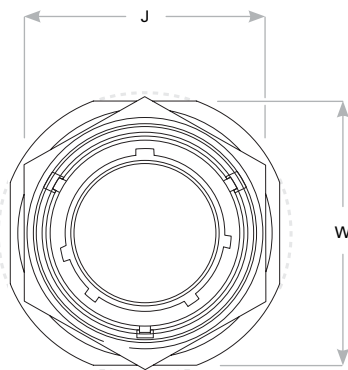
\* Please consult an authorized distributor for lead time and minimum quantity requirements.

**Note:** See part builder (p. J-11) for additional kit options.

## Receptacle Dimensions

Shell Size	W	J	L Max	R	M	E	Q Thread Class 2A	P Max Rear Panel†	H	A
8	.938 (23.8)	.750 (19.1)	.790 (20.1)	.696 (17.7)	.473 (12.0)	.206 (5.2)	.563-24 NEF	.125 (3.2)	.572 (14.5)	.542 (13.8)
10	1.062 (27.0)	.875 (22.2)	.790 (20.1)	.696 (17.7)	.590 (15.0)	.206 (5.2)	.688-24 NEF	.125 (3.2)	.697 (17.7)	.669 (17.0)
12	1.250 (31.8)	1.062 (27.0)	.790 (20.1)	.696 (17.7)	.750 (19.1)	.206 (5.2)	.875-20 UNEF	.125 (3.2)	.884 (22.5)	.830 (21.1)
14	1.375 (34.9)	1.188 (30.2)	.790 (20.1)	.696 (17.7)	.875 (22.2)	.206 (5.2)	1.000-20 UNEF	.125 (3.2)	1.007 (25.6)	.955 (24.3)
16	1.500 (38.1)	1.312 (33.3)	.790 (20.1)	.696 (17.7)	1.000 (25.4)	.206 (5.2)	1.125-18 NEF	.125 (3.2)	1.134 (28.8)	1.084 (27.5)
18	1.625 (41.3)	1.438 (36.5)	.790 (20.1)	.696 (17.7)	1.125 (28.6)	.206 (5.2)	1.250-18 NEF	.125 (3.2)	1.259 (32.0)	1.208 (30.7)
20	1.812 (46.0)	1.562 (39.7)	1.009 (25.7)	.884 (22.5)	1.250 (31.8)	.081 (2.1)	1.375-18 NEF	.250 (6.4)	1.384 (35.2)	1.333 (33.9)
22	1.938 (49.2)	1.688 (42.9)	1.009 (25.7)	.884 (22.5)	1.375 (34.9)	.081 (2.1)	1.500-18 NEF	.250 (6.4)	1.507 (38.3)	1.459 (37.1)
24	2.062 (52.4)	1.812 (46.0)	1.042 (26.5)	.917 (23.3)	1.500 (38.1)	.048 (1.2)	1.625-18 NEF	.250 (6.4)	1.634 (41.5)	1.575 (40.0)

Dimensions are in inches (mm). † Max panel thickness applies only to rear mount applications to ensure proper coupling clearance.



Panel Cutout

Rev. 1904