

MS3474 Connector Type Datasheet

BM Series • MIL-DTL-26482 Series 2 Type Connectors



BM07 Cross Reference & Compatibility

Compatible Brands	Equivalent	Mates
MIL-DTL-26482 Series 2	MS3474	MS3475, MS3476
Aero / Conesys	AE774	AE775, AE776
Amphenol / Matrix	MB14	MB16, MB18
Deutsch	AFD54	AFD56, AFD57
Souriau	8526-7	8526-5, 8526-6

BM07 N 14-18 S N - R2(017) - 02

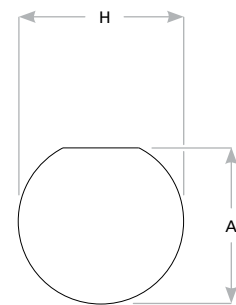
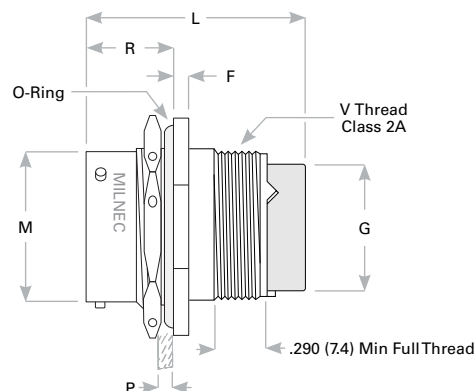
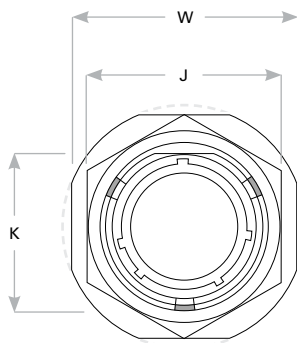
- 1 **BASIC PART NUMBER**
BM07 Jam nut receptacle
- 2 **MATERIAL & FINISH**
N Aluminum, electroless nickel
W Aluminum, olive drab cadmium
- 3 **SHELL SIZE & INSERT ARRANGEMENT**
See Insert Arrangement Selection table, p. J-12
- 4 **CONTACT STYLE**
P Pin
S Socket
- 5 **INSERT ROTATION**
N Normal or W, X, Y, Z, see p. J-12 for availability
- 6 **OPTIONAL BACKSHELL KIT (OMIT FOR NONE)**
B2 Straight strain relief (self-locking), p. J-23
R2() Straight EMI/RFI environmental, p. J-34
(Add dash number for appropriate shell size, see p. J-34)
- 7 **OPTIONAL ACCESSORY KIT (OMIT FOR NONE)**
02 Protective cover

Note: See part builder (p. J-11) for additional kit options.

Receptacle Dimensions

Shell Size	W	K	J	L Max	R	F	M	G	V Thread Class 2A	P Max Rear Panel†	H	A
8	.954 (24.2)	.525 (13.3)	.767 (19.5)	1.405 (35.7)	.707 (18.0)	.113 (2.9)	.471 (12.0)	.305 (7.8)	.500-20 UNF	.187 (4.7)	.572 (14.5)	.536 (13.6)
10	1.078 (27.4)	.650 (16.5)	.892 (22.7)	1.405 (35.7)	.707 (18.0)	.113 (2.9)	.588 (14.9)	.405 (10.3)	.625-24 UNEF	.187 (4.7)	.697 (17.7)	.661 (16.8)
12	1.266 (32.2)	.813 (20.7)	1.079 (27.4)	1.405 (35.7)	.707 (18.0)	.113 (2.9)	.748 (19.0)	.531 (13.5)	.750-20 UNEF	.187 (4.7)	.895 (22.7)	.824 (20.9)
14	1.391 (35.3)	.937 (23.8)	1.205 (30.6)	1.405 (35.7)	.707 (18.0)	.113 (2.9)	.873 (22.2)	.665 (16.9)	.875-20 UNEF	.187 (4.7)	1.010 (25.7)	.948 (24.1)
16	1.516 (38.5)	1.061 (26.9)	1.329 (33.8)	1.405 (35.7)	.707 (18.0)	.113 (2.9)	.998 (25.3)	.790 (20.1)	1.000-20 UNEF	.187 (4.7)	1.135 (28.8)	1.072 (27.2)
18	1.641 (41.7)	1.186 (30.1)	1.455 (37.0)	1.405 (35.7)	.707 (18.0)	.113 (2.9)	1.123 (28.5)	.869 (22.1)	1.062-18 UNEF	.187 (4.7)	1.260 (32.0)	1.197 (30.4)
20	1.828 (46.4)	1.311 (33.3)	1.579 (40.1)	1.465 (37.2)	.772 (19.6)	.148 (3.8)	1.248 (31.7)	.994 (25.2)	1.188-18 UNEF	.250 (6.4)	1.385 (35.2)	1.322 (33.6)
22	1.954 (49.6)	1.436 (36.5)	1.705 (43.3)	1.465 (37.2)	.772 (19.6)	.148 (3.8)	1.373 (34.9)	1.119 (28.4)	1.313-18 UNEF	.250 (6.4)	1.510 (38.4)	1.447 (36.8)
24	2.078 (52.8)	1.561 (39.6)	1.829 (46.5)	1.465 (37.2)	.772 (19.6)	.148 (3.8)	1.498 (38.0)	1.244 (31.6)	1.438-18 UNEF	.250 (6.4)	1.635 (41.5)	1.572 (39.9)

Dimensions are in inches (mm). † Max panel thickness applies only to rear mount applications to ensure proper coupling clearance.



Panel Cutout