

90° EMI/RFI Env. Backshell

DL Series • MIL-DTL-38999 Series I Style Connectors



Photo for example only

DLR4 - 015 N

- 1 **BASIC PART NUMBER**
- 2 **DASH NO.**
- 3 **MATERIAL & FINISH**

DLR4 90° EMI/RFI environmental backshell

See Backshell Dimensions table below

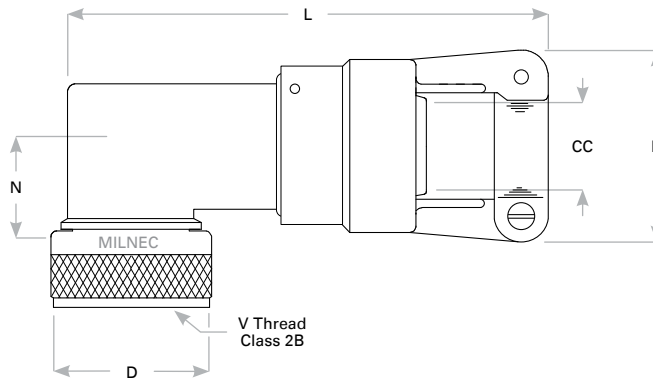
N Aluminum, electroless nickel

W Aluminum, olive drab cadmium

Note: See part builder (p. N-14) for additional kit options.

DLR4 Compatibility

Compatible Brands	Connectors
MIL-DTL-38999 Series I	MS27466, MS27467, MS27468, MS27656
Aero / Conesys	AE156, AE167, AE166, AE168
Amphenol	LJT00, LTJQP00, LJT01, LJT06, LJTS06, LJT07
Deutsch	DJT0, DJT4, DJT6
ITT Cannon	KJA0, KJL0, KJL3, KJL6, KJL7
Souriau	8LT0, 8LT1, 8LT5, 8LT7



Backshell Dimensions

Dash No.	Shell Size	V Thread Class 2B	N	D	B	L	CC Cable Clearance	
							Min	Max
001	9	.438-28 UNEF	.532 (13.5)	.750 (19.1)	.800 (20.3)	3.267 (83.0)	.062 (1.6)	.125 (3.2)
002	9	.438-28 UNEF	.532 (13.5)	.750 (19.1)	1.000 (25.4)	3.267 (83.0)	.125 (3.2)	.250 (6.4)
003	11	.562-24 UNEF	.627 (15.9)	.850 (21.6)	.800 (20.3)	3.387 (86.0)	.062 (1.6)	.125 (3.2)
004	11	.562-24 UNEF	.627 (15.9)	.850 (21.6)	1.000 (25.4)	3.387 (86.0)	.125 (3.2)	.250 (6.4)
005	11	.562-24 UNEF	.627 (15.9)	.850 (21.6)	1.100 (27.9)	3.407 (86.5)	.250 (6.4)	.375 (9.5)
006	13	.688-24 UNEF	.642 (16.3)	1.000 (25.4)	1.000 (25.4)	3.407 (86.5)	.125 (3.2)	.250 (6.4)
007	13	.688-24 UNEF	.642 (16.3)	1.000 (25.4)	1.100 (27.9)	3.407 (86.5)	.250 (6.4)	.375 (9.5)
008	13	.688-24 UNEF	.642 (16.3)	1.000 (25.4)	1.200 (30.5)	3.407 (86.5)	.375 (9.5)	.500 (12.7)
009	15	.813-20 UNEF	.719 (18.3)	1.150 (29.2)	1.000 (25.4)	3.477 (88.3)	.125 (3.2)	.250 (6.4)
010	15	.813-20 UNEF	.719 (18.3)	1.150 (29.2)	1.100 (27.9)	3.477 (88.3)	.250 (6.4)	.375 (9.5)

Dimensions are in inches (mm).

(Continued on next page)

Rev. 2138

Backshell Dimensions (Continued from previous page)

Dash No.	Shell Size	V Thread Class 2B	N	D	B	L	CC Cable Clearance	
							Min	Max
011	15	.813-20 UNEF	.719 (18.3)	1.150 (29.2)	1.200 (30.5)	3.477 (88.3)	.375 (9.5)	.500 (12.7)
012	15	.813-20 UNEF	.719 (18.3)	1.150 (29.2)	1.250 (31.8)	3.477 (88.3)	.500 (12.7)	.625 (15.9)
013	17	.938-20 UNEF	.774 (19.7)	1.250 (31.8)	1.000 (25.4)	3.567 (90.6)	.125 (3.2)	.250 (6.4)
014	17	.938-20 UNEF	.774 (19.7)	1.250 (31.8)	1.100 (27.9)	3.567 (90.6)	.250 (6.4)	.375 (9.5)
015	17	.938-20 UNEF	.774 (19.7)	1.250 (31.8)	1.200 (30.5)	3.567 (90.6)	.375 (9.5)	.500 (12.7)
016	17	.938-20 UNEF	.774 (19.7)	1.250 (31.8)	1.250 (31.8)	3.567 (90.6)	.500 (12.7)	.625 (15.9)
017	17	.938-20 UNEF	.774 (19.7)	1.250 (31.8)	1.400 (35.6)	3.567 (90.6)	.625 (15.9)	.750 (19.1)
018	19	1.063-18 UNEF	.854 (21.7)	1.400 (35.6)	1.100 (27.9)	3.737 (94.9)	.250 (6.4)	.375 (9.5)
019	19	1.063-18 UNEF	.854 (21.7)	1.400 (35.6)	1.200 (30.5)	3.737 (94.9)	.375 (9.5)	.500 (12.7)
020	19	1.063-18 UNEF	.854 (21.7)	1.400 (35.6)	1.250 (31.8)	3.737 (94.9)	.500 (12.7)	.625 (15.9)
021	19	1.063-18 UNEF	.854 (21.7)	1.400 (35.6)	1.400 (35.6)	3.737 (94.9)	.625 (15.9)	.750 (19.1)
022	19	1.063-18 UNEF	.854 (21.7)	1.400 (35.6)	1.500 (38.1)	3.737 (94.9)	.750 (19.1)	.875 (22.2)
023	21	1.188-18 UNEF	.899 (22.8)	1.550 (39.4)	1.100 (27.9)	3.737 (94.9)	.250 (6.4)	.375 (9.5)
024	21	1.188-18 UNEF	.899 (22.8)	1.550 (39.4)	1.200 (30.5)	3.737 (94.9)	.375 (9.5)	.500 (12.7)
025	21	1.188-18 UNEF	.899 (22.8)	1.550 (39.4)	1.250 (31.8)	3.737 (94.9)	.500 (12.7)	.625 (15.9)
026	21	1.188-18 UNEF	.899 (22.8)	1.550 (39.4)	1.400 (35.6)	3.737 (94.9)	.625 (15.9)	.750 (19.1)
027	21	1.188-18 UNEF	.899 (22.8)	1.550 (39.4)	1.500 (38.1)	3.737 (94.9)	.750 (19.1)	.875 (22.2)
028	21	1.188-18 UNEF	.899 (22.8)	1.550 (39.4)	1.650 (41.9)	3.737 (94.9)	.875 (22.2)	1.000 (25.4)
029	23	1.313-18 UNEF	1.009 (25.6)	1.650 (41.9)	1.100 (27.9)	3.847 (97.7)	.250 (6.4)	.375 (9.5)
030	23	1.313-18 UNEF	1.009 (25.6)	1.650 (41.9)	1.200 (30.5)	3.847 (97.7)	.375 (9.5)	.500 (12.7)
031	23	1.313-18 UNEF	1.009 (25.6)	1.650 (41.9)	1.250 (31.8)	3.847 (97.7)	.500 (12.7)	.625 (15.9)
032	23	1.313-18 UNEF	1.009 (25.6)	1.650 (41.9)	1.400 (35.6)	3.847 (97.7)	.625 (15.9)	.750 (19.1)
033	23	1.313-18 UNEF	1.009 (25.6)	1.650 (41.9)	1.500 (38.1)	3.847 (97.7)	.750 (19.1)	.875 (22.2)
034	23	1.313-18 UNEF	1.009 (25.6)	1.650 (41.9)	1.650 (41.9)	3.847 (97.7)	.875 (22.2)	1.000 (25.4)
035	23	1.313-18 UNEF	1.009 (25.6)	1.650 (41.9)	1.750 (44.5)	3.847 (97.7)	1.000 (25.4)	1.125 (28.6)
036	25	1.438-18 UNEF	1.024 (26.0)	1.850 (47.0)	1.200 (30.5)	3.847 (97.7)	.375 (9.5)	.500 (12.7)
037	25	1.438-18 UNEF	1.024 (26.0)	1.850 (47.0)	1.250 (31.8)	3.847 (97.7)	.500 (12.7)	.625 (15.9)
038	25	1.438-18 UNEF	1.024 (26.0)	1.850 (47.0)	1.400 (35.6)	3.847 (97.7)	.625 (15.9)	.750 (19.1)
039	25	1.438-18 UNEF	1.024 (26.0)	1.850 (47.0)	1.500 (38.1)	3.847 (97.7)	.750 (19.1)	.875 (22.2)
040	25	1.438-18 UNEF	1.024 (26.0)	1.850 (47.0)	1.650 (41.9)	3.847 (97.7)	.875 (22.2)	1.000 (25.4)
041	25	1.438-18 UNEF	1.024 (26.0)	1.850 (47.0)	1.750 (44.5)	3.847 (97.7)	1.000 (25.4)	1.125 (28.6)
042	25	1.438-18 UNEF	1.024 (26.0)	1.850 (47.0)	1.900 (48.3)	3.847 (97.7)	1.125 (28.6)	1.250 (31.8)

Dimensions are in inches (mm).

